



LUCCI AIR 72" ATLANTA DC CEILING FAN

- **INSTALLATION**
- **OPERATION**
- **MAINTENANCE**
- **WARRANTY INFORMATION**

CAUTION
**READ INSTRUCTIONS CAREFULLY FOR SAFE
INSTALLATION AND FAN OPERATION.**

For customer support, please contact:

Tel: +1 (949) 800 8488

Email: support@beaconlighting.us

www.beaconlighting.us.

EN**CONGRATULATIONS ON YOUR PURCHASE**

Congratulations on purchasing the latest in energy saving ceiling fans. This fan runs on DC (direct current) power which gives it the benefit of being super energy efficient whilst still maintaining high volume air-movement and silent operation.

Energy Saving - The DC motor is the latest technology in fan design. Its highly efficient motor saves up to 65% more energy than ceiling fans with traditional AC motors.

Silent operation – This DC fan motor is programmed with a stabilised current which efficiently reduces motor noise.

Low operating temperature – The DC power is managed effectively which brings down the motor operating temperature to less than 50°C. This results in a much cooler motor than a standard AC fan and increases the longevity of the motor.

6 speed remote control - Regular AC ceiling fans usually come with only 3 speeds, this DC fan comes complete with a 6 speed remote, which gives greater choice of comfort levels.

SAFETY PRECAUTIONS**Read and Save These Instructions**

This product conforms to UL standard 507 and CSA STD. C22.2 NO.113.

1. **WARNING** -To avoid possible electrical shock, before installing or servicing your fan, disconnect the power by turning off the circuit breaker of the fuse box to the outlet box.
2. **WARNING** - To reduce the risk of fire, electric shock, or personal injury, mount to outlet box marked “acceptable for fan support of 35 lbs (15.9 kg) or more” and use the mounting screws provided with the outlet box and/or support directly from building structure. Most outlet boxes commonly used for the support of luminaires may not be acceptable for fan support and may need to be replaced. Consult a qualified electrician if in doubt.
3. Suitable for use with solid-state speed controls
4. This product is designed to use only those parts supplied with this product and/or any accessories designated specifically for use this product by LUCCI AIR. Substitution of parts or accessories not designated for use with this product by LUCCI AIR could result in personal injury or property damage.
5. **WARNING** - To reduce the risk of personal injury, do not bend the blade brackets when installing the blade brackets balancing the blades, or cleaning the fan. Do not insert foreign objects in between rotating fan blades.
6. **CAUTIONS** - All wiring must be in accordance with the National Electrical Code (ANSI/NFPA 70) and local electrical codes. If you are unfamiliar with wiring, use a qualified electrician.
7. To reduce the risk of injury to person, the fan must be mounted with a minimum of 7 feet clearance from the bottom edge of the blades to the floor.
8. After marking electrical connections, spliced conductors should be turned upward and pushed carefully up into the outlet box. The wires should be spread apart with the grounded conductor and the equipment-grounding conductor on one side of the outlet box.
9. This equipment has been tested and found to comply with the limits for a Class B digital device, pursuant to part 15 of the FCC rules. These limits are to provide reasonable protection against harmful interference in a residential installation. This equipment generates, uses and can radiate radio frequency energy and if not installed and used in accordance with the instructions may cause harmful interference to radio communications.
10. **CAUTION** - To reduce the risk of electric shock, disconnect the electrical supply circuit to the fan before installing light kit.
11. The light kit weight is 0.30kg.
12. Use Only with Light Kits Marked Suitable For Use In Damp Locations.

PARTS LIST

- Unpack your ceiling fan and carefully. Remove all parts and hardware.
- Lay out all the components on a smooth surface and make sure there are no components missing before assembling. If parts are missing, return the complete product to the place of purchase for inspection or replacement.
- Check whether the ceiling fan has been damaged during transport. Do not operate/install any product which appears damaged in any way. Return the complete product to the place of purchase for inspection, repair or replacement.
- Examine and identify the parts. Please refer to **Fig 1**.

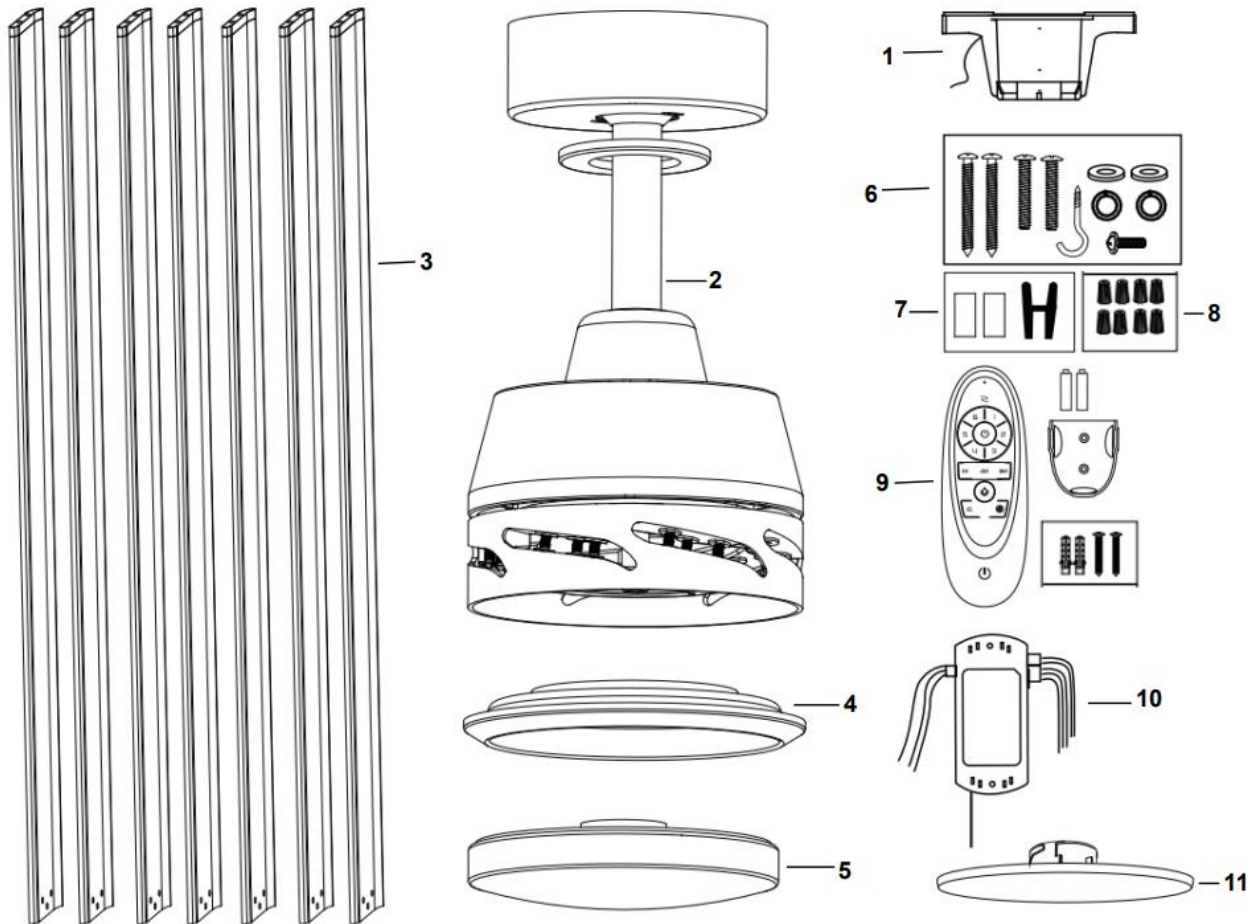


Fig. 1

1	Mounting bracket x1	7	Blade balancing kit x1 set
2	Fan assembly x1 set	8	Wire nut x8
3	Fan Blades x7	9	Remote x 1 set (include battery x2 / remote holder x1 / screws x2 / anchors x2)
4	Light kit plate x1	10	Receiver x 1
5	GX53 lamp x 1	11	Non-Light decoration plate x 1
6	Wood screw x 2 / Machine screw x 2 / Flat washer x 2 / Spring washer x 2 / security hook x1 / Spare motor screw for blade x1		

INSTALLING THE MOUNTING BRACKET

If there isn't an existing outlet box, then install one using the following instructions:

- Disconnect the power by removing the fuses or turning off the circuit breakers.
- Secure the outlet box (A) (not included) directly to the building structure. Use appropriate fasteners and materials (not included). The outlet box and its bracing must be able to fully support the weight of the moving fan (at least 35 lbs). Do not use a plastic outlet box.
- Figures 2-4 below show three different ways to mount the outlet box (A) (not included).

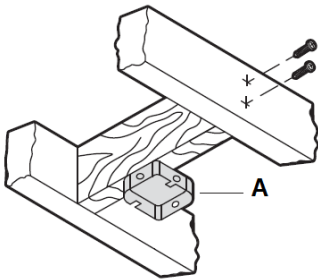


Fig. 2

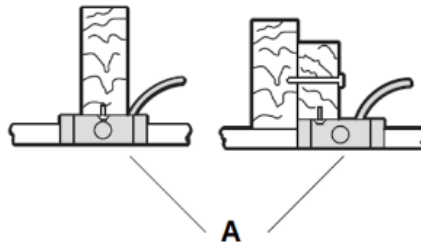


Fig. 3

Angled ceiling
Maximum 9°

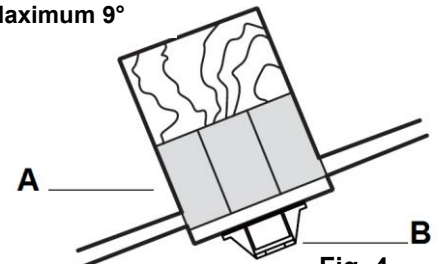


Fig. 4

This fan hanging system supports a maximum 9-degree angled ceiling installation. **Fig. 4**

NOTE: If you are installing the ceiling fan on a sloped ceiling, you may need a longer downrod to maintain proper clearance between the tip of the blade and the ceiling.

NOTE: The ceiling fan must be installed in a location so that the blades are spaced 300mm from the tip of the blade to the nearest objects or walls.

NOTE: For angled ceiling installation, the opening of the mounting bracket (B) must be pointed toward the peak.

To hang your fan where there is an existing fixture but no ceiling joist, you may need an installation hanger bar (C) as shown in **Fig.5**. Make sure the hanger bar you purchase has been designed for use with ceiling fans.

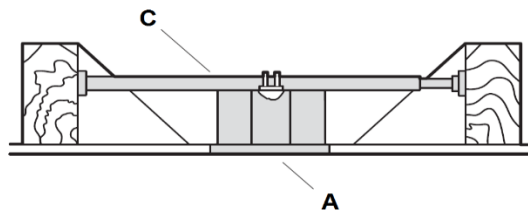


Fig. 5

HANGING THE FAN

Pass the power supply wires (C) from the ceiling outlet box (B) through the center of the ceiling mounting bracket (D). Install the ceiling mounting bracket (D) on the outlet box (B) with the mounting screws (F) provided with the outlet box and washers (E) provided with fan. **Fig. 6**

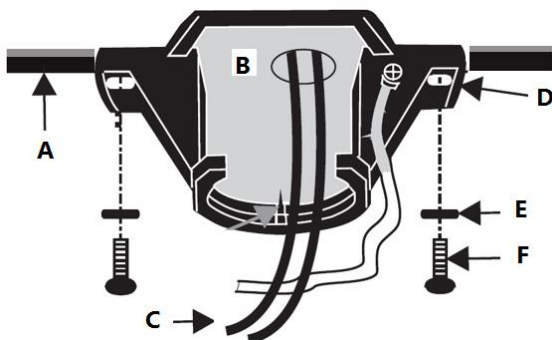


Fig. 6

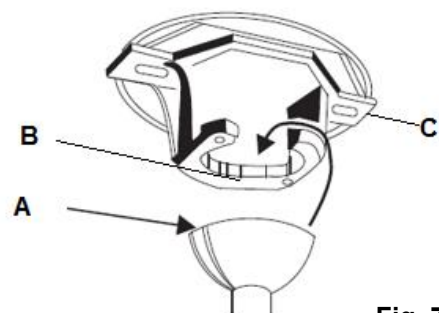


Fig. 7

Lift the fan assembly onto the mounting bracket. Ensure the key slot (A) of the hanger ball is positioned on the key pin (B) of the mounting bracket (C) to prevent the fan from rotating when in operation. **Fig.7**

INSTALLATION OF THE FAN**INSTALLATION OF BLADE (Fig. 8)**

1. Before installing the blades, remove the motor blade screws from the bottom of the fan motor assembly.
2. Insert the blade into the slot of rotating member of fan motor assembly.
3. Align and engage the holes of the blade to the blade bracket.
4. Secure the blade to the fan motor assembly by tightening the 3 blade screws.
Ensure all screws are tightened evenly to reduce the chance of warping or unbalancing.
Take care not to over tighten the screws, as this can damage the blades.

Take note the correct side of the blades with the marking "THIS SIDE UP" faces the ceiling.

5. Repeat the same process for the other blades.

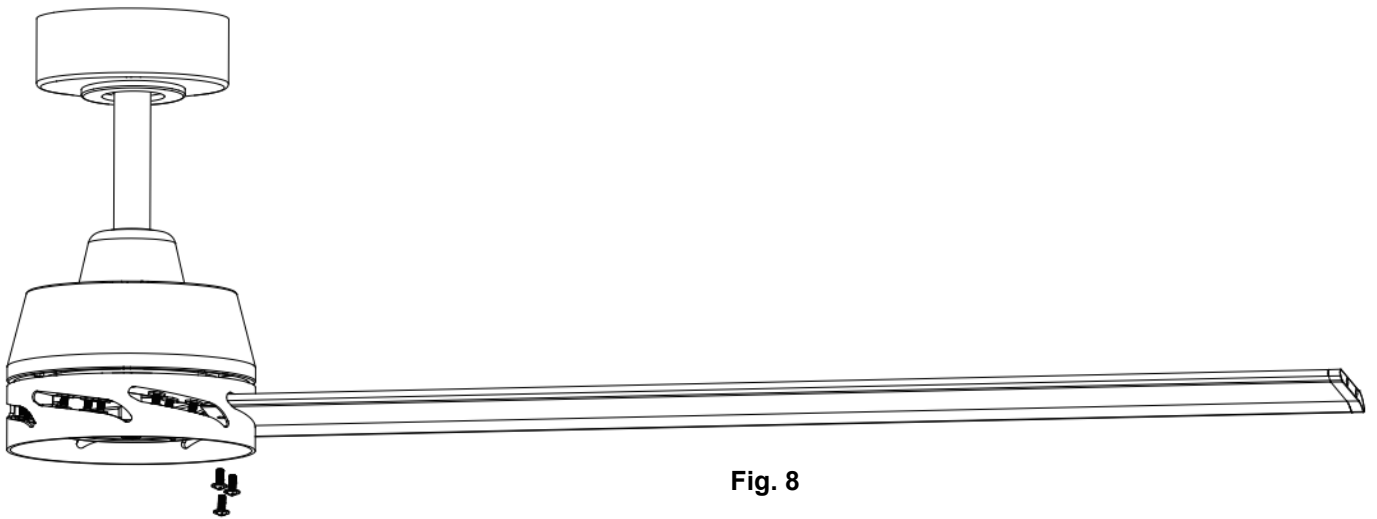


Fig. 8

NOTE: Don't run the motor without blades installed!

INSTALLATION OF LIGHT KIT (Fig. 9)

- Align the two slot screws of the motor part with the keyhole slots of the light kit bracket (3).
- Turn the light kit bracket anticlockwise until the slot screws are firmly at the end of the slots.

Tighten the screw (2) and the 2 slot screws to secure the light kit bracket. **Fig.9a**

Install the lamp (4) to the GX53 lamp holder (5). Do not exceed the maximum power rating. **Fig.9b**

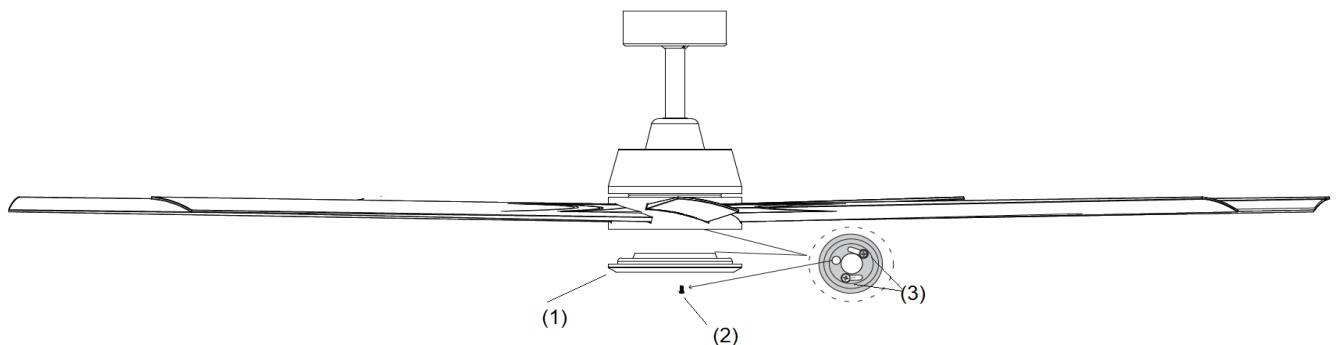
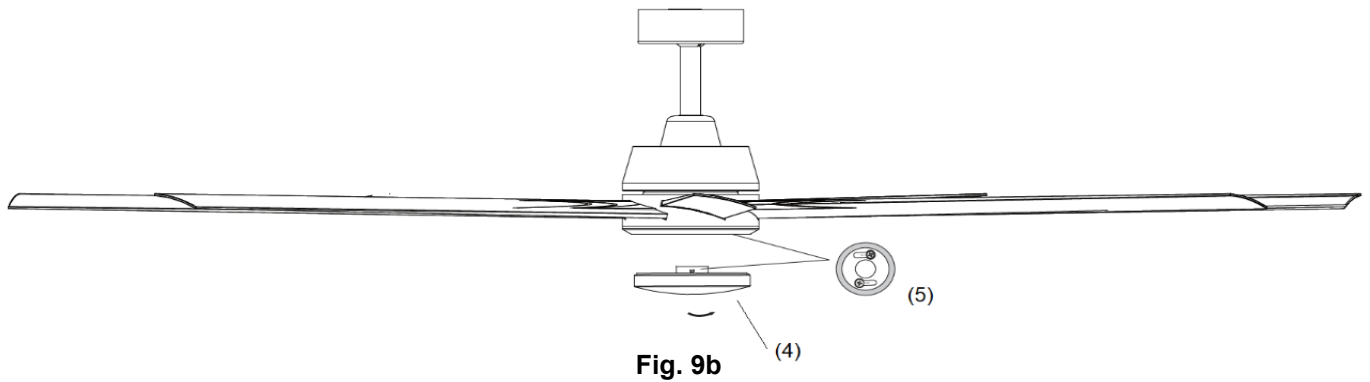


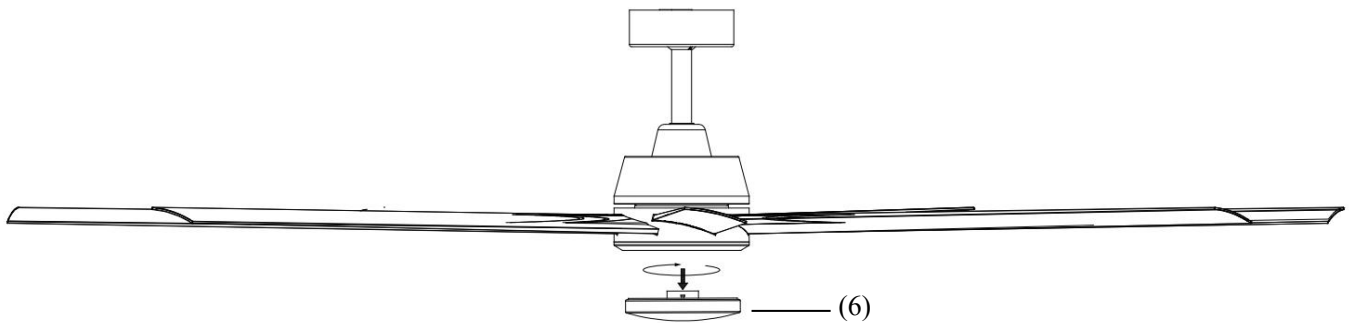
Fig. 9a



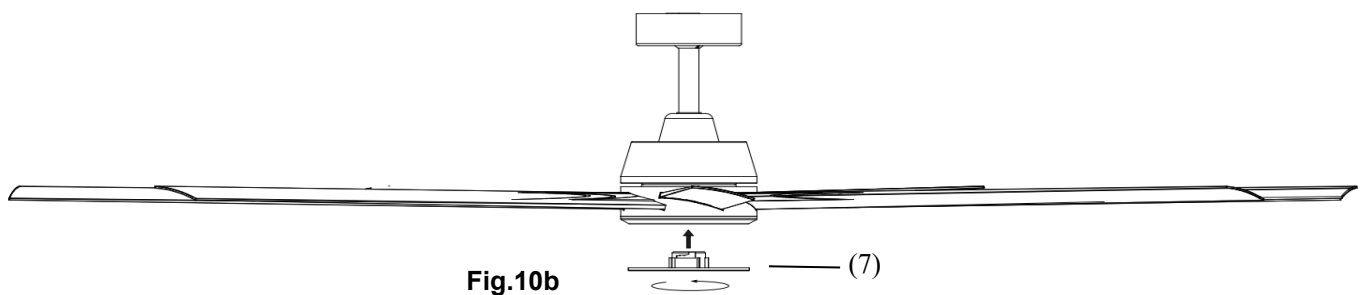
INSTALLATION OF Non-Light decoration plate (Fig. 10)

If no lamp is required, install Non-Light decoration plate

- Remove the lamp (6) from the GX53 lamp holder. **Fig.10a**



- Install the Non-Light decoration plate (7) on the light lit bracket. **Fig.10b**



- Complete the electrical wiring according to the 'ELECTRICAL WIRING DIAGRAM' section below. (Fig.11)

Noted: The 72" ATLANTA fan is a DC technology fan and cannot be used with an AC wall switch. If use wall switch, on/off toggle wall switch – only, Always leave in the “on” position and use remote.

ELECTRICAL WIRING DIAGRAM

WARNING: To avoid possible electrical shock, be sure you have turned off the power at the main circuit panel. Follow the steps below to connect the fan to your household wiring. Use the wire connecting nuts supplied with your fan. Secure the connectors with electrical tape. Make sure there are no loose wire strands or connections.

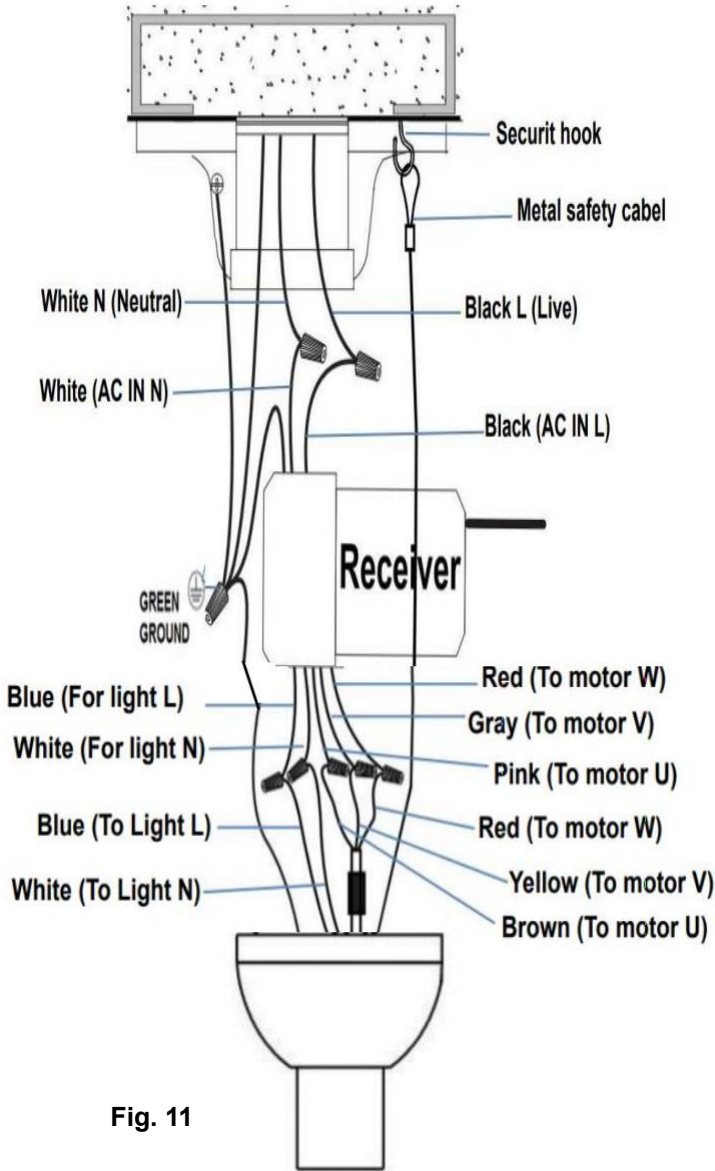


Fig. 11

1. Connect the household live supply wire (black) to receiver input wire (black, AC IN L) as shown in (Fig. 11)
2. Connect the household neutral supply wire (white) to the receiver input wire (white, AC IN N).
3. Connect the household ground wire to the fan ground wires (green) from motor, downrod, fan mounting bracket, and receiver ground wires together. Connect all ground wires together using the twist connector.
4. Connect the receiver output wire (white, for light N) to motor input wire (White, To Light N).
5. Connect the receiver output wire (Blue, for light L) to motor input wire (Blue, To Light L).
6. Connect the receiver output wire (Pink, to motor U) to motor input wire (Brown, To motor U).
7. Connect the receiver output wire (Gray, to motor V) to motor input wire (Yellow, To motor V).
8. Connect the receiver output wire (Red, to motor W) to motor input wire (Red, To motor W).

9. Pull the metal safety cable on the security hook, tight the safety cable. (Fig. 12)

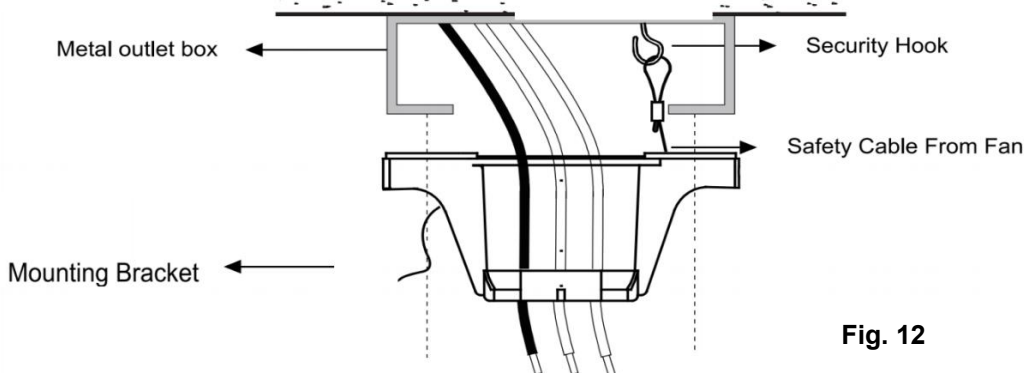


Fig. 12

10. Turn the connecting nuts upward and push the wiring into the outlet box.

11. Carefully insert the Remote Receiver above the hanger ball in the remainder spacing in the mounting bracket. Take care not to damage or loosen any of the wiring. (Fig. 13)

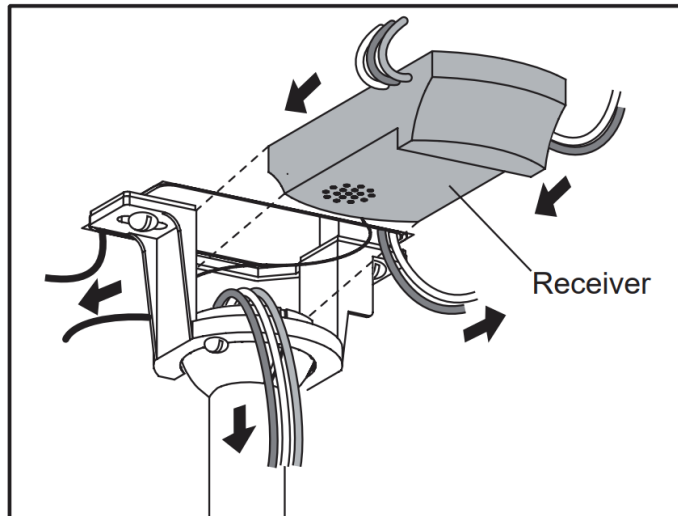


Fig. 13

FINISHING THE INSTALLATION

INSTALLATION OF THE CANOPY (Fig. 14)

- Loosen the 2 screws at the bottom of the mounting bracket.
- Slide the canopy up to the mounting bracket and align the key holes on the canopy with the screws on the mounting bracket. Turn the canopy until it locks into place with the narrow section of the key holes and secure it by tightening the two screws. Avoid damaging the electrical wiring prepared previously.
- Slide the canopy cover ring up to the canopy and click in to cover the canopy cover screws.

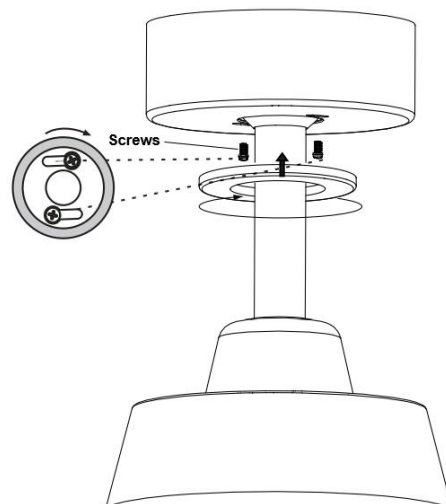


Fig. 14

INSTALLATION OF THE REMOTE CONTROL HOLDER (Fig. 15)

Install the holder (A) to the wall with two screws provided (B), hang up the remote by the holder.

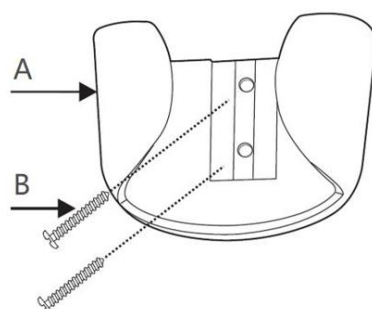


Fig. 15

USING YOUR CEILING FAN

REMOTE CONTROL (Fig.16)

1. Open the battery compartment cover by removing the securing screw and insert 2 x AAA battery. Note the correct battery polarity (+/-) when inserting the battery, and then replace the cover and secure with the screw.
2. Test the remote by pressing and hold any button. A blue LED will be lit up at the top of the remote to indicate that there is power to the remote and it is ready for use to control the fan.
3. Follow the guide below to operate the fan and learn the functions.

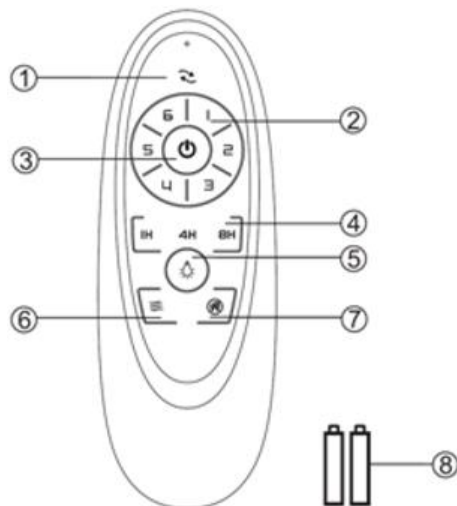


Fig. 16

- ① Direction of the fan (reverse switch)
- ② Speed of the fan
- ③ ON/OFF the fan
- ④ Timing control of the fan
- ⑤ ON/OFF the light
- ⑥ Natural wind
(Press the button to set the fan running at changing speed automatically. If the fan is working at speed 1, 2, 3, then press this button to let the fan run at a lower changing speed. If the fan is working at speed 4,5,6, then press this button to let the fan run at a higher changing speed)
- ⑦ Anti-theft function
(the light ON 5~20 minutes every 2 hours)
- ⑧ 1. 5V AAA battery X 2pcs (included)

The LED light has a 3-step dimmable function which is controlled by an ON/OFF switch.

When the LED light is ON and at 100% brightness, press the light button “ON and then OFF within 5 seconds”, to dim the LED light. Repeat pressing ON and then OFF within 5 seconds to dim further in the following sequence: 100% brightness → 50% brightness → 20% brightness → 100% brightness.

To switch back to 100% brightness at any stage, turn OFF the luminaire, and then wait after 5 seconds turn ON the luminaire, it will reset to 100% brightness.

The remote has memory function. If the fan is turned off by the isolating switch over 5 seconds, the next time to turn on the fan will be on last setting.

REPAIRING THE FAN RECEIVER & REMOTE PAIRING

NOTE: The pairing of the remote and receiver has been done at the factory.

When the ceiling fan is installed, pairing the fan receiver and remote is NOT required.

NOTE: the fan is DC fan, there is some “stutter” for the fan during pairing , or at either rotation direction, the fan would some “stutter” before starting the rotation. this is normal.

Should the remote and receiver lose control after installation or during use, the pairing of the remote and the receiver must be repaired. Below are the operating symptoms and method to repair the pairing of the DC ceiling fan remote and receiver.

Issues:

- Loss of control - Fan is only running at high speed after installation
- Loss of control - No reverse function after installation
- Loss of control - Remote cannot communicate with the receiver

Solution:

- Switch off the main power of ceiling fan.
- Switch on the main power of the ceiling fan. Press and hold the On/Off button on the remote for 5 seconds within 30 seconds after switching on. There will be a notification 'beep' sound from the receiver to indicate that the pairing process is successful.
- Turn on and select the different speed of the ceiling fan to check the operation of the fan.

AFTER INSTALLATION

WOBBLE:

NOTE: ceiling fans tend to move during operation due to the fact that they are mounted on a rubber grommet. If the fan was mounted rigidly to the ceiling it would cause excessive vibration. Movement of a few centimetres is quite acceptable and DOES NOT suggest any problem.

TO REDUCE THE FAN WOBBLE: Please check that all screws which fix the mounting bracket.

BALANCING KIT: A balancing kit is provided to balance the ceiling fan on initial installation. Please refer to the instruction on how to use the balancing kit. The balancing kit can be used to assist re-balancing should the ceiling fan become unbalanced again. Store your balancing kit away after installation for future use if required.

NOISE:

When it is quiet (especially at night) you may hear occasional small noises. Slight power fluctuations and frequency signals superimposed in the electricity for off-peak hot water control, may cause a change in fan motor noise. This is normal. Please allow a 24-hour "breaking -in" period, most noises associated with a new fan disappear during this time. All electric motors are audible to some extent. Please note that this is not a product fault, and as such is not covered under warranty.

CARE & CLEANING

NOTE: Always turn OFF the power at the mains switch before performing any maintenance or attempting to clean your fan.

- 1) Every 6 months periodic cleaning of your ceiling fan is the only maintenance required. Use a soft brush or lint free cloth to avoid scratching the paint finish. Please turn OFF electricity power when you do so.
- 2) Do not soak or immerse your ceiling fan in water or other liquids. It could damage the motor or the blades and create the possibility of an electrical shock.
- 3) Ensure that the fan does not come in contact with any organic solvents or cleaners.
- 4) To clean the fan blade, wipe with only a damp clean cloth with NO organic solvents or cleaners.
- 5) The motor has a permanently lubricated ball bearing so there is no need to oil.

TECHNICAL INFORMATION

Fan Size	Speed	Volts (V)	Amps (A)	Watts (W)	RPM	CFM	CFM/ W	N.W. (lbs)	C.F.
72" ATLANTA-series	Extra-High	120	0.53	53.88W	136	8922.70	165.60	20.94	2.2
	Low	120	0.10	4.50W	64	4061.31	902.51	20.94	2.2

These are approximate measurements. They do not include data for any lamps or fixtures attached to the ceiling fan.

WARRANTY

1 year warranty covers the entire fan. Please refer to warranty card for the details.

E**FELICITACIONES CON SU COMPRA**

Felicitaciones por comprar lo último en ventiladores ahorradores de energía. Este ventilador funciona con CC (corriente continua) lo que le confiere la ventaja de ser súper eficiente energéticamente, a la vez que mantiene un alto volumen de movimiento de aire y un funcionamiento silencioso.

Ahorro de energía - El motor de CC es la última tecnología en diseño de ventiladores. Su motor de alta eficiencia ahorra hasta un 65% más de energía que los ventiladores de techo con motores de CA tradicionales.

Funcionamiento silencioso - Este motor de ventilador de CC está programado con una corriente estabilizada que reduce eficazmente el ruido del motor.

Baja temperatura de funcionamiento - La potencia de CC se maneja eficazmente, lo que reduce la temperatura de funcionamiento del motor a menos de 50°C. Esto da como resultado un motor mucho más frío que un ventilador de CA estándar y aumenta la longevidad del motor.

Control remoto con 6 velocidades - Los ventiladores de techo normales de CA suelen venir con sólo 3 velocidades, este ventilador de CC viene con un control remoto con 6 velocidades, lo que proporciona una mayor elección de niveles de confort.

MEDIDAS DE SEGURIDAD**Lea y conserve estas instrucciones**

Este producto cumple con la norma UL 507 y CSA STD. C22.2 NO.113.

1. **ADVERTENCIA** - Para evitar cualquier posible descarga eléctrica, antes de instalar o reparar su ventilador desconecte la alimentación apagando el disyuntor del circuito de la caja de fusibles a la caja de salida.
2. **ADVERTENCIA:** para reducir el riesgo de incendio, descarga eléctrica o lesiones personales, ensámblelo en la caja de tomacorriente marcada como "apta para soportar un ventilador de 35 lb (15,9 kg) o más" y use los tornillos de montaje proporcionados con la caja de tomacorriente y/o instálelo directamente en la estructura del edificio. La mayoría de las cajas de salida usadas normalmente para instalar luminarias no son aptas para instalar ventiladores y puede ser necesario reemplazarlas. En caso de duda, consulte con un electricista calificado.
3. Apto para utilizarse con controles de velocidad de estado sólido.
4. Este producto está diseñado para utilizar únicamente las piezas suministradas con este producto y/o cualquier accesorio designado específicamente para el uso de este producto por LUCCI AIR. La sustitución de piezas o accesorios no designados para su uso con este producto por LUCCI AIR podría provocar lesiones personales o daños materiales.
5. **ADVERTENCIA** - Para disminuir el riesgo de que se produzcan lesiones personales, no doble los soportes de las aspas al instalarlos para equilibrar las aspas o al limpiar el ventilador. No inserte objetos extraños entre las aspas giratorias del ventilador.
6. **PRECAUCIONES** - Todo el cableado debe estar conforme con el Código Eléctrico Nacional (ANSI/NFPA 70) y los códigos eléctricos locales. Si no está familiarizado con el cableado, emplee a un electricista calificado.
7. Para disminuir el riesgo de sufrir lesiones personales, el ventilador debe ubicarse a una distancia mínima de 7 pies (2.13 m) entre el borde de la parte inferior de las aspas y el suelo.
8. Después de hacer las conexiones eléctricas, los conductores empalmados se deben voltear hacia arriba y empujar con cuidado al interior de la caja de salida. Los cables deben estar separados con el conductor conectado a tierra y el conductor de descarga a tierra de equipos en un lado de la caja de salida.
9. Este equipo fue probado y se demostró que cumple con los límites de un dispositivo digital de Clase B,

según la parte 15 de las reglas de la FCC. Estos límites se establecieron para proporcionar una protección razonable contra la interferencia dañina en una instalación residencial. Este equipo genera, usa y puede radiar energía de frecuencias de radio y, de no instalarse y utilizarse de acuerdo con las instrucciones, puede causar interferencia dañina con las comunicaciones de radio.

10. PRECAUCIÓN - Para reducir el riesgo de descarga eléctrica, desconecte el circuito de suministro eléctrico del ventilador antes de instalar el kit de iluminación.
11. El peso del kit de iluminación es de 0,30 kg.
12. Use solamente con el juego de luces marcado como apropiado para uso en ubicaciones húmedas.

LISTA DE PIEZAS

- Desempaque su ventilador de techo con cuidado. Saque todas las piezas y los tornillos.
- Deposite todos los componentes sobre una superficie lisa y verifique que no falta ninguno antes de iniciar el armado. Si falta alguna pieza, regrese el producto completo al lugar donde lo adquirió para que lo examinen o reemplacen.
- Compruebe si el ventilador de techo se dañó durante el transporte. No ponga en funcionamiento ni instale ningún producto que presente cualquier tipo de daño. Regrese el producto completo al lugar donde lo adquirió para que lo examinen, reparen o reemplacen.
- Examine e identifique las piezas. Consulte la **Fig. 1**.

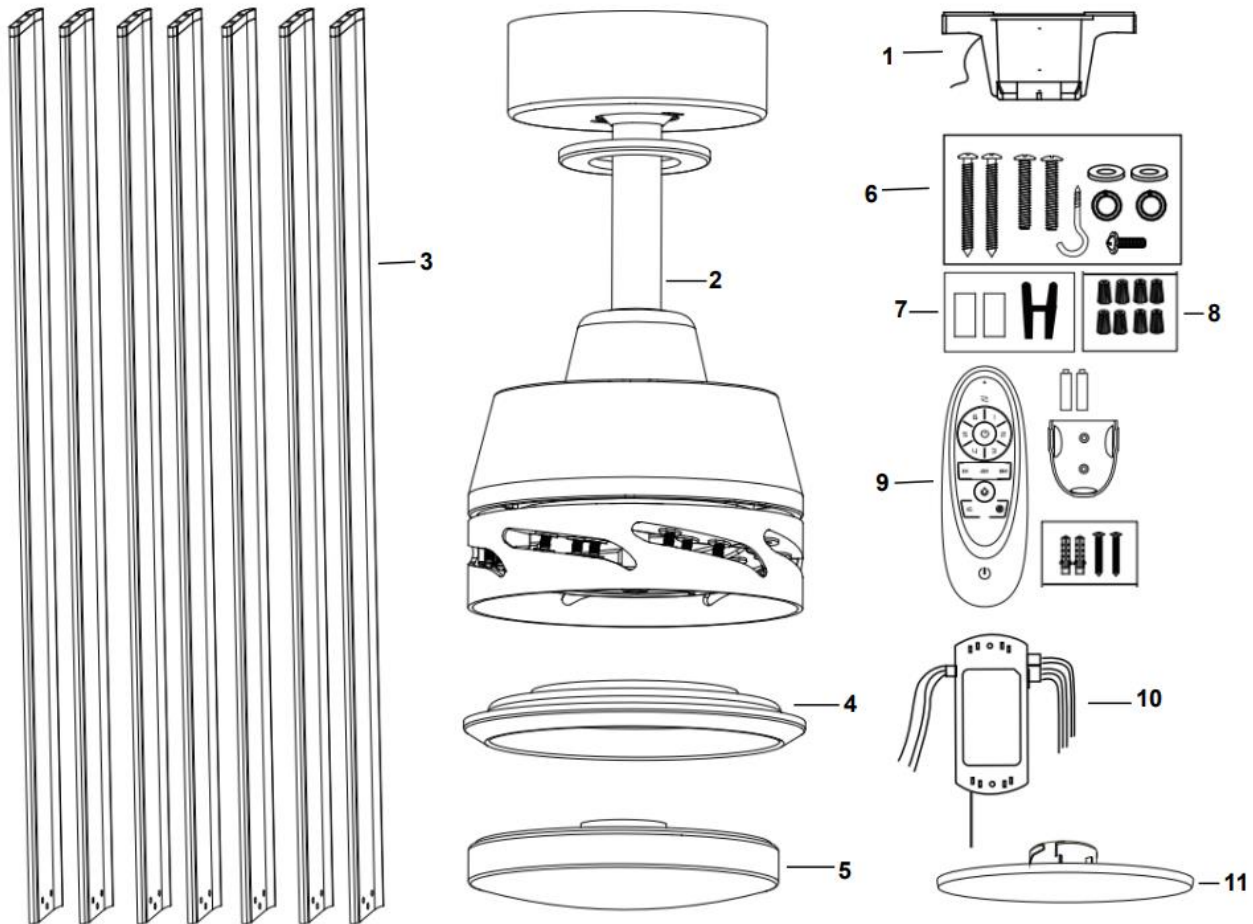


Fig. 1

1	Soporte de montaje x 1	7	Juego de balance de las aspas x 1
2	Conjunto de ensamblaje del ventilador x 1	8	Tuerca para cable x 8
3	Aspas del ventilador x 7	9	Mando a distancia x 1 juego (incluye pila x 2 / soporte de mando a distancia x 1 / tornillos x 2 / anclajes x 2)
4	Placa del kit de iluminación x 1	10	Receptor x 1
5	Lámpara GX53 x 1	11	Placa decorativa no luminosa x 1
6	Tornillo para madera x 2 / Tornillo para máquina x 2 / Arandela plana x 2 / Arandela elástica x 2 / Gancho de seguridad x 1 / Tornillo motor de repuesto para aspa x 1		

INSTALACIÓN DEL SOPORTE DE MONTAJE

Si no hay ya una caja de salida, instale una siguiendo estas instrucciones:

- Desconecte el suministro eléctrico retirando los fusibles o apagando los disyuntores de circuito.
- Fije la caja de salida (A) (no incluida) directamente a la estructura del edificio. Use fijaciones y materiales apropiados (no incluidos). La caja de salida y su soporte deben ser capaces de soportar completamente el peso del ventilador en movimiento (al menos 35 lb). No use una caja tomacorrientes de plástico.
- Las Figuras 2-4 siguientes muestran tres tipos distintos de montaje de la caja de tomacorrientes (A) (no incluida).

Techo en ángulo Máximo 9

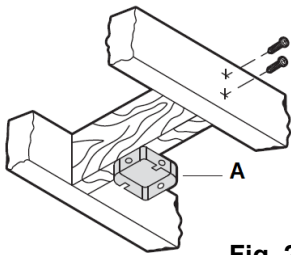


Fig. 2

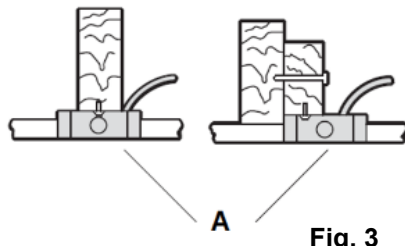


Fig. 3

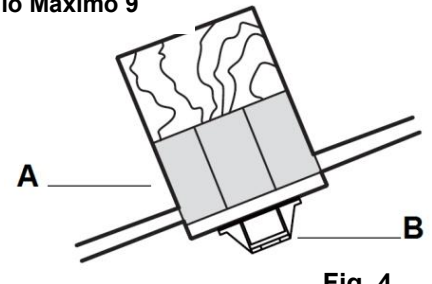


Fig. 4

Este sistema colgante del ventilador soporta un ángulo máximo de 9 grados en la instalación de techo. **Fig. 4**

NOTA: Si va a instalar el ventilador en un techo inclinado, es posible que necesite una varilla descendente más larga para mantener el espacio necesario entre la punta del aspa y el techo.

NOTA: El ventilador de techo debe instalarse en un lugar donde las puntas de las aspas queden a una distancia de 300 mm del objeto o pared más cercano.

NOTA: Al instalar en techos en ángulo, la abertura del soporte de armado (B) debe apuntar hacia el pico.

Para colgar su ventilador donde ya existe una luminaria pero no hay una viga de techo, es posible que necesite instalar una barra de colgado (C) como se ilustra en la **Fig. 5**. Asegúrese de que la barra de colgado que compre se haya diseñado para utilizarse con ventiladores de techo.

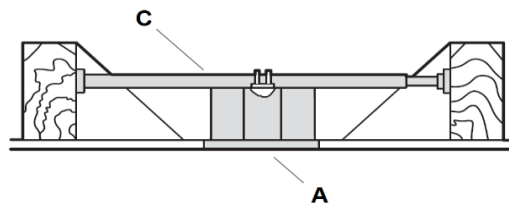


Fig. 5

CÓMO COLGAR EL VENTILADOR

Pase los cables de alimentación eléctrica (C) de la caja de salida del techo (B) a través del centro del soporte de armado en el techo (D). Instale el soporte de montaje en el techo (D) en la caja tomacorrientes (B) con los tornillos de armado (F) suministrados con la caja tomacorrientes y las arandelas (E) incluidas con el ventilador.

Fig. 6

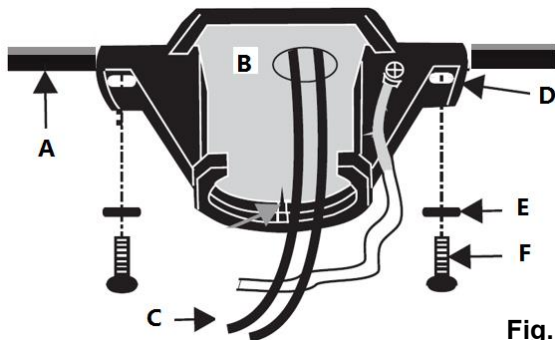


Fig. 6

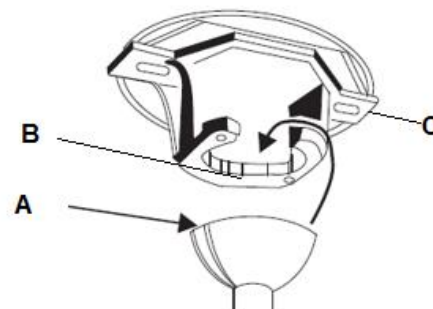


Fig. 7

Eleve el conjunto del ventilador sobre el soporte de montaje. Compruebe que la ranura de la llave (A) de la bola de colgado está ubicada en la clavija de la llave (B) del soporte de montaje (C) para evitar que el ventilador gire cuando está en funcionamiento. **Fig.7**

INSTALACIÓN DEL VENTILADOR**INSTALACIÓN DE LA CUCHILLA (Fig. 8)**

1. Antes de instalar las aspas, retire los tornillos de las aspas del motor de la parte inferior del conjunto del motor del ventilador.
2. Inserte el asa en la ranura del elemento giratorio del conjunto del motor del ventilador.
3. Alinee y encaje los orificios del asa en su soporte.
4. Fije el asa al conjunto del motor del ventilador apretando los 3 tornillos del asa.
Asegúrese de que todos los tornillos estén apretados uniformemente para reducir la posibilidad de alabeo o desequilibrio.
No apriete los tornillos en exceso, ya que esto puede dañar las aspas.

Tenga en cuenta que el lado correcto de las aspas con la marca "THIS SIDE UP" está orientado hacia el techo.

5. Repita el mismo proceso para las otras cuchillas.

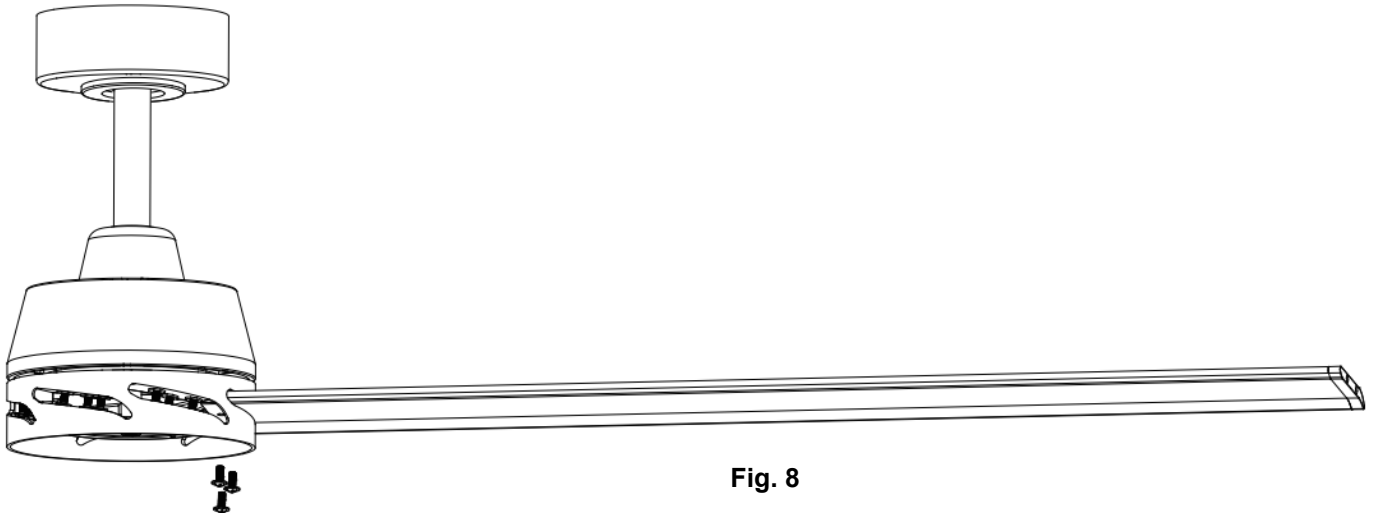


Fig. 8

NOTA: ¡No opere el motor sin las cuchillas instaladas!

INSTALACIÓN DEL KIT DE ILUMINACIÓN (Fig. 9)

- Alinee los dos tornillos de ranura de la parte del motor con las ranuras de bocallave del soporte del kit de luces (3).
- Gire el soporte del kit de iluminación en sentido contrario a las agujas del reloj hasta que los tornillos de las ranuras queden firmemente en el extremo de las mismas.

Apriete el tornillo (2) y los 2 tornillos de ranura para fijar el soporte del kit de iluminación. **Fig. 9a**

Instale la lámpara (4) en el portalámparas GX53 (5). No exceda la potencia máxima nominal. **Fig. 9b**

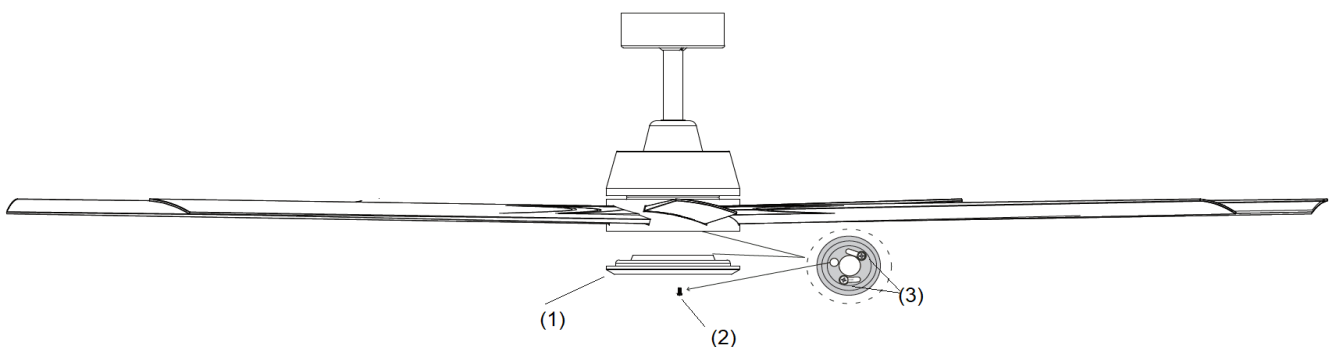
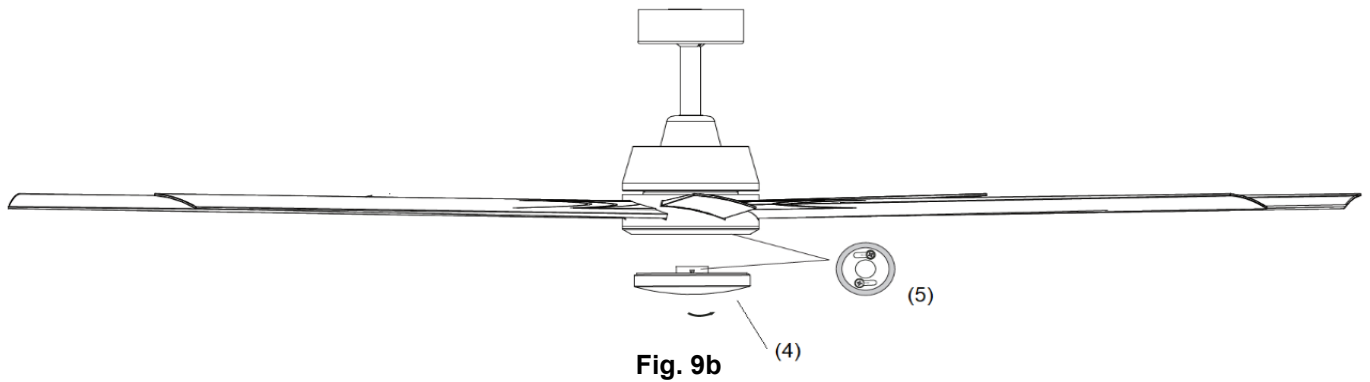


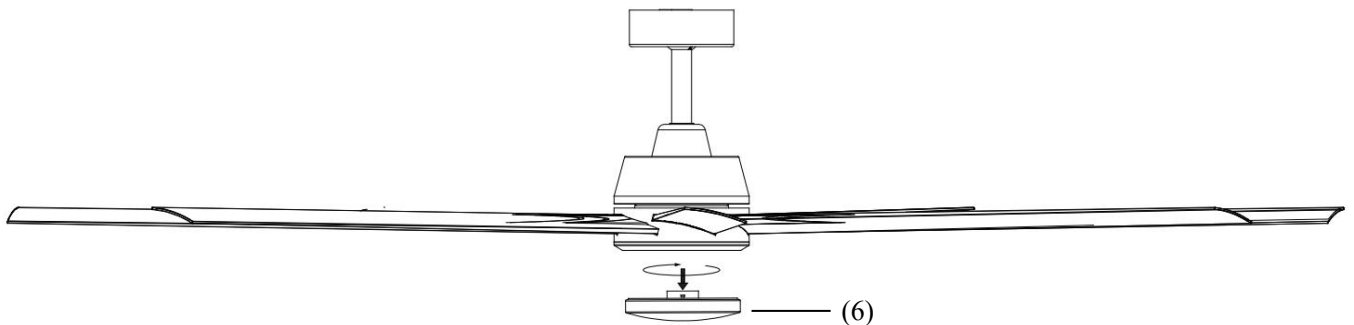
Fig. 9a



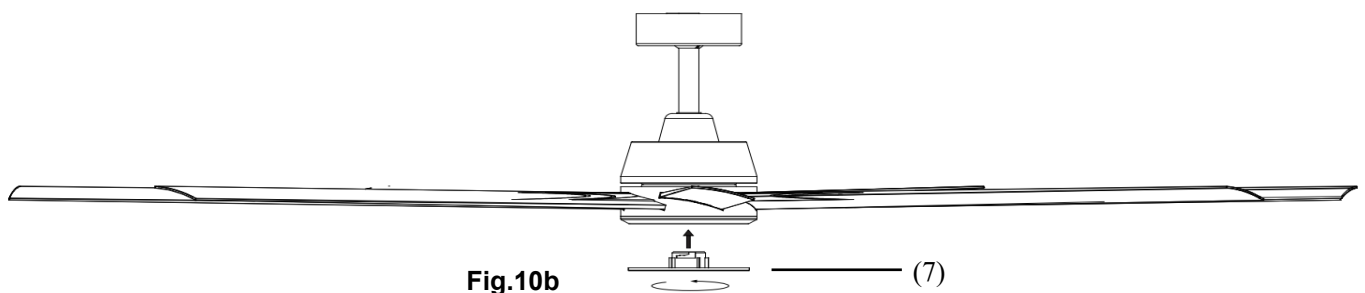
INSTALACIÓN DE LA PLACA DECORATIVA NO LUMINOSA (Fig. 10)

Si no necesita lámpara, instale la placa decorativa no luminosa.

- Retire la lámpara (6) del portalámparas GX53 (5). **Fig.10a**



- Instale la placa decorativa no luminosa (7) en el soporte del kit de iluminación. **Fig.10b**



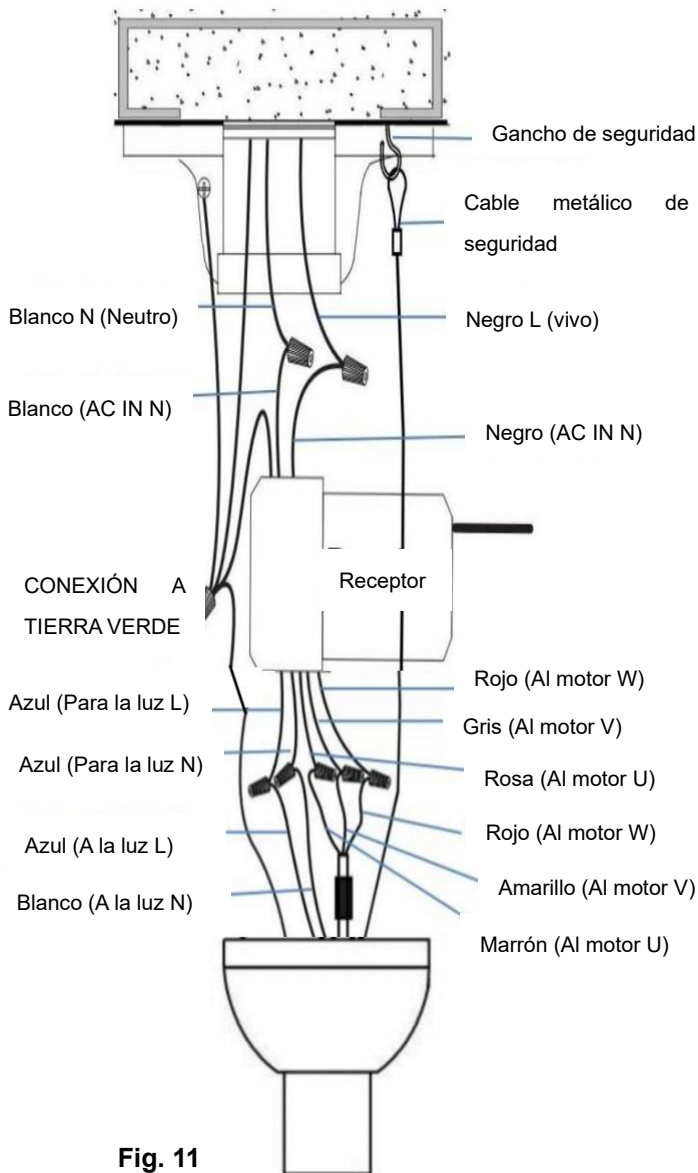
- Complete el cableado eléctrico según la sección de "DIAGRAMA DEL CABLEADO ELÉCTRICO" a continuación. (Fig.11)

Nota: El ventilador ATLANTA de 72" es un ventilador con tecnología de CC y no puede utilizarse con un interruptor de pared de CA. Si se utiliza el interruptor de pared, el interruptor de pared de encendido/apagado - sólo, dejar siempre en la posición "on" y utilizar el control remoto.

DIAGRAMA DE CABLEADO ELÉCTRICO

ADVERTENCIA: Para evitar cualquier posible descarga eléctrica, asegúrese de haber desconectado la alimentación eléctrica en el panel de circuito principal.

Siga los pasos que aparecen a continuación para conectar el ventilador al cableado de su casa. Use las tuercas de conexión de cable que se suministran con su ventilador. Fije los conectores con cinta eléctrica. Asegúrese de que no haya hilos de cables sueltos o conexiones flojas.



1. Conecte el cable de alimentación doméstico (negro) al cable de entrada del receptor (negro, AC IN L) como se muestra en (Fig. 11)

2. Conecte el cable neutro del suministro eléctrico del hogar (blanco) al cable de entrada del receptor (blanco, AC IN N).

3. Conecte el cable a tierra del hogar a los cables a tierra del ventilador (verdes) desde el motor, varilla vertical, soporte de montaje del ventilador y a los cables a tierra del receptor juntos. Conecte todos los cables a tierra juntos usando el conector de torsión.

4. Conecte el cable de salida del receptor (blanco, para luz N) al cable de entrada del motor (blanco, a luz N).

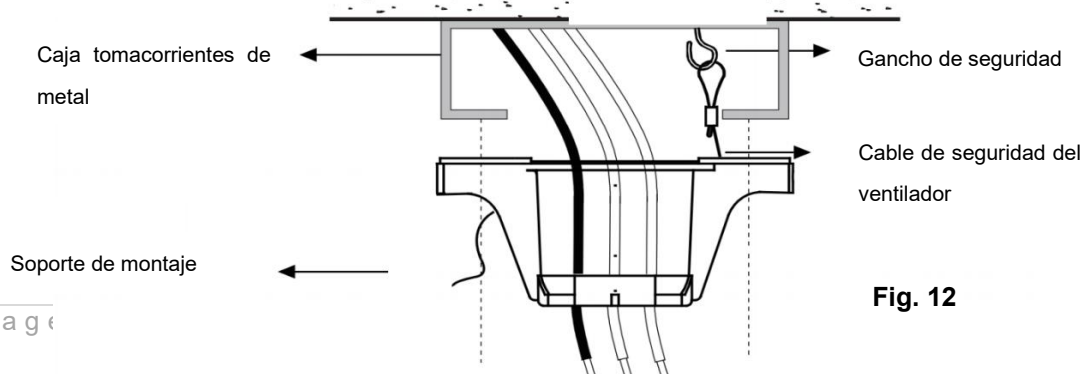
5. Conecte el cable de salida del receptor (azul, para luz L) al cable de entrada del motor (azul, a luz L).

6. Conecte el cable de salida del receptor (rosado, al motor U) al cable de entrada del motor (marrón, al motor U).

7. Conecte el cable de salida del receptor (gris, al motor V) al cable de entrada del motor (amarillo, al motor V).

8. Conecte el cable de salida del receptor (rojo, al motor W) al cable de entrada del motor (rojo, al motor W).

9. Tire del cable de seguridad de metal por el gancho de seguridad y apriete el cable de seguridad. (Fig. 12)



10. Gire las tuercas de conexión hacia arriba y presione el cableado hacia el interior de la caja tomacorrientes.
11. Inserte el receptor remoto con cuidado sobre la bola de colgado en el espacio sobrante del soporte de montaje. Tome precauciones para no dañar o aflojar ninguno de los cables. (Fig. 13)

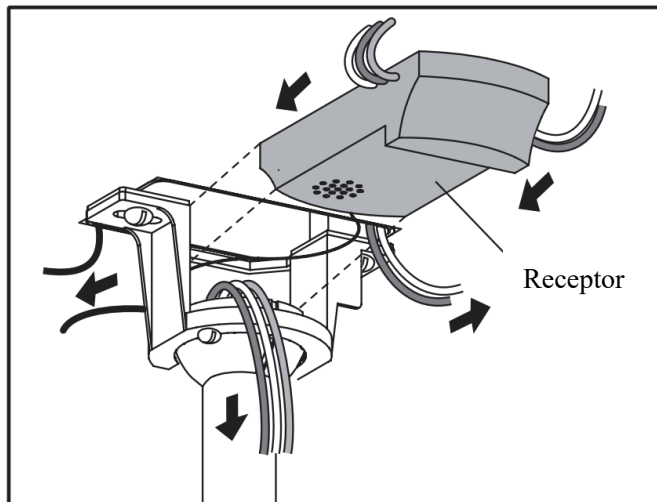


Fig. 13

CÓMO FINALIZAR LA INSTALACIÓN

INSTALACIÓN DEL FLORÓN (Fig. 14)

- Afloje los 2 tornillos en la parte inferior del soporte de montaje.
- Deslice el florón hasta el soporte de montaje y alinee los orificios clave en el florón con los tornillos en el soporte de montaje. Gire el florón hasta que se bloquee en su lugar con la sección angosta de los orificios clave y asegúrelos ajustando los dos tornillos. Evite dañar el cableado eléctrico previamente preparado.
- Deslice el anillo de la cubierta del florón hasta el florón y ajuste para cubrir los tornillos de cubierta del florón.

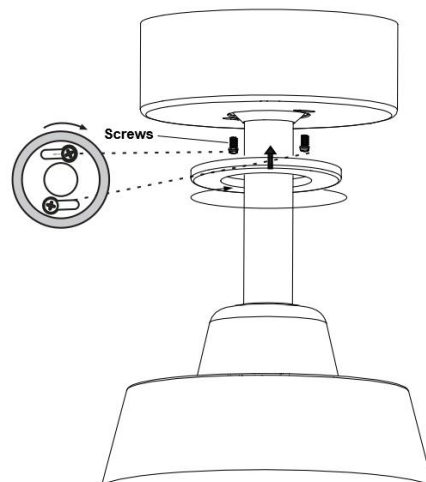


Fig. 14

INSTALACIÓN DEL SOPORTE DEL MANDO A DISTANCIA (Fig. 15)

Instale el sujetador (A) en la pared con los dos tornillos suministrados (B) y cuelgue el control remoto en el sujetador.

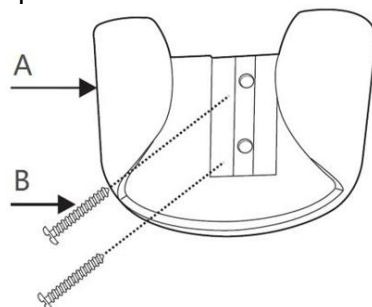


Fig. 15

USO DE SU VENTILADOR DE TECHO**CONTROL REMOTO (Fig.16)**

1. Abra la tapa del compartimento de las pilas retirando el tornillo de seguridad e introduzca 2 pilas AAA. Tenga en cuenta la polaridad correcta de la pila (+/-) al insertarla y, a continuación, vuelva a colocar la tapa y fíjela con el tornillo.
2. Pruebe el control remoto manteniendo pulsado cualquier botón. Se encenderá un LED azul en la parte superior del mando a distancia para indicar que hay corriente en el mando y que está listo para usarse para controlar el ventilador.
3. Siga la siguiente guía para manejar el ventilador y aprender las funciones.

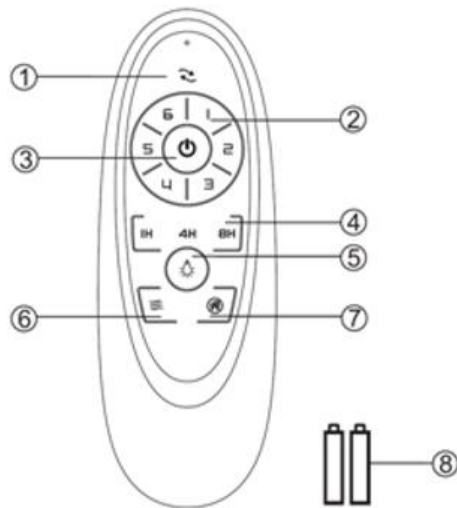


Fig. 16

- 1) Dirección del ventilador (interruptor de reverso)
- 2) Velocidad del ventilador
- 3) Encender/Apagar el ventilador
- 4) Control del tiempo del ventilador
- 5) Encender/Apagar la luz
- 6) Viento natural
(Pulse el botón para que el ventilador funcione a velocidad variable automáticamente. Si el ventilador funciona a la velocidad 1, 2, 3, pulse este botón para que el ventilador funcione a una velocidad cambiante más baja. Si el ventilador funciona a la velocidad 4, 5, 6, pulse este botón para que el ventilador funcione a una velocidad cambiante más alta)
- 7) Función antirrobo (la luz se enciende 5~20 minutos cada 2 horas)
- 8) 2 pilas AAA de 1,5 (incluidas)

La luz LED tiene una función de 3 pasos atenuable que se controla con un interruptor de ON/OFF.

Cuando la luz LED está encendida y con un 100% de iluminación, presione el botón de luz "ON y luego OFF dentro de 5 segundos", para atenuar la luz LED. Repita presionando ON y OFF dentro de 5 segundos para atenuar más en la siguiente secuencia: 100% de iluminación → 50% de iluminación → 20% de iluminación → 100% de iluminación.

Para pasar de vuelta al 100% de iluminación en cualquier etapa, apague el foco, y luego espere después de 5 segundos para encender el foco, se reiniciará con un 100% de iluminación.

El control remoto tiene función de memoria. Si el ventilador se apaga por el interruptor de aislamiento más de 5 segundos, la próxima vez que se encienda el ventilador será en el último ajuste.

REPARACIÓN DEL RECEPTOR DEL VENTILADOR Y EMPAREJAMIENTO CON EL CONTROL REMOTO

NOTA: El emparejamiento del control remoto y el receptor se ha realizado en fábrica.

Cuando el ventilador de techo esté instalado, NO es necesario emparejar el receptor del ventilador con el control remoto.

NOTA: El ventilador es de corriente continua. Habrá un cierto "titubeo" durante el emparejamiento, o en cualquier dirección de rotación. El ventilador "titubea" un poco antes de iniciar la rotación. Esto es normal.

Si el control remoto y el receptor pierden el control después de la instalación o durante el uso, el emparejamiento del control y el receptor debe ser reparado. A continuación se muestran los síntomas de funcionamiento y el método para reparar el emparejamiento del control remoto del ventilador de techo de CC y el receptor.

Problemas:

- Pérdida de control - El ventilador sólo funciona a alta velocidad después de la instalación
- Pérdida de control - No hay función de reversa después de la instalación
- Pérdida de control - El control remoto no puede comunicarse con el receptor

Solución:

- Desconecte la alimentación principal del ventilador de techo.
- Encienda la alimentación principal del ventilador de techo. Mantenga pulsado el botón de encendido/apagado del control remoto durante 5 segundos dentro de los 30 segundos siguientes al encendido. El receptor emitirá un pitido de notificación para indicar que el proceso de emparejamiento se ha realizado correctamente.
- Encienda y seleccione las diferentes velocidades del ventilador de techo para comprobar su funcionamiento.

DESPUÉS DE LA INSTALACIÓN**BAMBOLEO:**

NOTA: Los ventiladores de techo tienden a moverse cuando están en funcionamiento debido a que están armados sobre una arandela de caucho. Si el ventilador se montó en el techo de forma rígida, esto podría causar una vibración excesiva. Un movimiento de unos centímetros es aceptable y NO indica problema alguno.

CÓMO REDUCIR EL BAMBOLEO DEL VENTILADOR: Verifique que todos los tornillos que fijan el soporte de armado y están seguros.

KIT DE BALANCE: Se proporciona un kit de balance para equilibrar el ventilador de techo en la instalación inicial. Consulte las instrucciones sobre cómo usar el kit de balance. El kit de balance puede usarse para asistir con el re-balance si el ventilador del techo se vuelve a desequilibrar. Guarde su kit de balance luego de la instalación para uso futuro, si se requiere.

RUIDO:

Cuando hay silencio (especialmente por la noche), es posible escuchar pequeños ruidos de vez en cuando. Las fluctuaciones ligeras de suministro eléctrico y las señales de frecuencia superpuestas en el control de agua caliente fuera de horas pico pueden causar cambios en el ruido del motor del ventilador. Esto es normal. Deje un periodo de ajuste de 24 horas y la mayoría de los ruidos asociados con el nuevo ventilador desaparecerán en dicho periodo de tiempo. Todos los motores eléctricos producen un cierto ruido. Tenga en cuenta que esto no es una falla del producto y como tal, no está cubierto por la garantía.

CUIDADOS Y LIMPIEZA

NOTA: Apague siempre el ventilador del interruptor principal antes de realizarle cualquier operación de mantenimiento o de limpiarlo.

- 1) El único mantenimiento que necesita el ventilador es una limpieza periódica cada 6 meses. Use un cepillo suave o un paño sin fibras para evitar arañar el acabado de pintura. Desconecte el suministro eléctrico

antes de hacerlo.

- 2) No remoje ni sumerja el ventilador en agua ni en otros líquidos. Esto podría dañar el motor o las aspas y causar descargas eléctricas.
- 3) No permita que el ventilador entre en contacto con disolventes orgánicos ni con productos de limpieza.
- 4) Limpie las aspas solo con un paño húmedo y NO utilice disolventes orgánicos ni productos de limpieza.
- 5) El motor posee un rodamiento de bola permanentemente lubricado y no necesita engrasarse.

INFORMACIÓN TÉCNICA

Dimensiones del ventilador	Velocidad	Voltios (V)	Amperios (A)	Vatios (W)	RPM	CFM	CFM/W	Peso neto (lb)	C.F
Serie ATLANTA 72"	Extra alta	120	0,53	53,88W	136	8922,70	165,60	20,94	2.2
	Baja	120	0.10	4,50W	64	4061,31	902,51	20,94	2.2

Estas medidas son aproximadas. No incluyen datos de lámparas o luminarias fijadas al ventilador de techo.

GARANTÍA

1 año de garantía para todo el ventilador. Consulte la tarjeta de garantía para ver los detalles.



NOUS VOUS FÉLICITONS DE VOTRE ACHAT

Nous vous félicitons d'avoir acheté le dernier ventilateur de plafond à économie d'énergie. Ce ventilateur fonctionne sur une alimentation CC (courant continu), ce qui lui donne l'avantage d'être très économe en énergie tout en maintenant un mouvement d'air important et un fonctionnement silencieux.

Économie d'énergie - Le moteur à courant continu est la dernière technologie en matière de conception de ventilateurs. Son moteur à haut rendement permet d'économiser jusqu'à 65% d'énergie de plus que les ventilateurs de plafond équipés de moteurs à courant alternatif traditionnels.

Fonctionnement silencieux - Ce moteur de ventilateur à courant continu est programmé avec un courant stabilisé qui réduit efficacement le bruit du moteur.

Faible température de fonctionnement - L'alimentation en courant continu est gérée efficacement, ce qui réduit la température de fonctionnement du moteur à moins de 50°C. Il en résulte un moteur beaucoup plus froid qu'un ventilateur CA standard et augmente la longévité du moteur.

Télécommande à 6 vitesses - Les ventilateurs de plafond CA ordinaires sont généralement livrés avec seulement 3 vitesses, ce ventilateur CC est livré avec une télécommande à 6 vitesses, ce qui offre un plus grand choix de niveaux de confort.

PRÉCAUTIONS DE SÉCURITÉ

Lisez et conservez ces instructions

Ce produit est conforme à la norme UL 507 et à la norme CSA STD. C22.2 NO.113.

1. **AVERTISSEMENT** - Pour éviter tout risque d'électrocution, avant d'installer ou de réparer votre ventilateur, débranchez l'alimentation électrique en désactivant le disjoncteur de la boîte à fusibles de la prise de courant.
2. **AVERTISSEMENT** - Pour réduire les risques d'incendie, de choc électrique ou de blessures, montez-le sur le boîtier de sortie marqué « adapté au support de ventilateur de 35 livres (15,9 kg) ou plus » et utilisez les vis de montage fournies avec le boîtier de sortie et / ou le support directement à partir de la structure du bâtiment. La plupart des boîtes de sortie couramment utilisées pour le support de luminaires peuvent ne pas être adaptées pour le support de ventilateurs et doivent éventuellement être remplacées. Consultez un électricien qualifié en cas de doute.
3. Convient pour une utilisation avec des commandes de vitesse à semi-conducteurs.
4. Ce produit est conçu pour être utilisé avec uniquement les pièces fournies avec ce produit et/ou tout accessoire désigné spécifiquement pour l'utilisation de ce produit par LUCCI AIR. La substitution de pièces ou d'accessoires qui ne sont pas conçus par LUCCI AIR pour être utilisés avec ce produit peut entraîner des blessures corporelles ou des dommages matériels.
5. **AVERTISSEMENT** - Pour réduire les risques de blessures, ne tordez pas les supports de pale lors de l'installation des supports de pale, lors de l'équilibrage des pales ou lors du nettoyage du ventilateur. N'insérez pas d'objets étrangers entre les pales du ventilateur en rotation.
6. **ATTENTION** - Tout le câblage doit être conforme au code électrique national (ANSI / NFPA 70) et aux codes électriques locaux. Si vous ne connaissez pas le câblage, faites appel à un électricien qualifié.
7. Pour réduire les risques de blessures, le ventilateur doit être monté avec un dégagement minimum de 7 pieds du bord inférieur des pales au sol.
8. Après avoir marqué les connexions électriques, les conducteurs épissés doivent être tournés vers le haut et poussés avec précaution dans le boîtier de sortie. Les fils doivent être écartés avec le conducteur mis à la terre et le conducteur de mise à la terre de l'équipement sur un côté du boîtier de sortie.
9. Cet équipement a été testé et déclaré conforme aux limites imposées aux appareils numériques de classe B, conformément à la section 15 des règles de la FCC. Ces limites doivent fournir une protection

raisonnable contre les interférences nuisibles dans une installation résidentielle. Cet équipement génère, utilise et peut émettre de l'énergie de fréquence radio. S'il n'est pas installé et utilisé conformément aux instructions, il peut causer des interférences nuisibles aux communications radio.

10. ATTENTION - Pour réduire le risque de choc électrique, débranchez le circuit d'alimentation électrique du ventilateur avant d'installer le kit d'éclairage.
11. Le poids du kit d'éclairage est de 0,30 kg.
12. Utiliser uniquement avec des kits d'éclairage marqués adaptés à une utilisation dans des endroits humides.

LISTE DES PIÈCES

- Déballez votre ventilateur de plafond et identifiez soigneusement les pièces. Retirez toutes les pièces et le matériel.
- Disposez tous les composants sur une surface lisse et assurez-vous qu'aucun composant ne manque avant l'assemblage. S'il manque des pièces, renvoyez le produit complet au lieu d'achat pour le faire inspecter ou remplacer.
- Vérifiez si le ventilateur de plafond a été endommagé pendant le transport. N'utilisez / n'installez aucun produit qui semble endommagé de quelque manière que ce soit. Renvoyez le produit complet au lieu d'achat pour le faire inspecter, réparer ou remplacer.
- Examinez et identifiez les pièces. Veuillez vous référer au **schéma 1**.

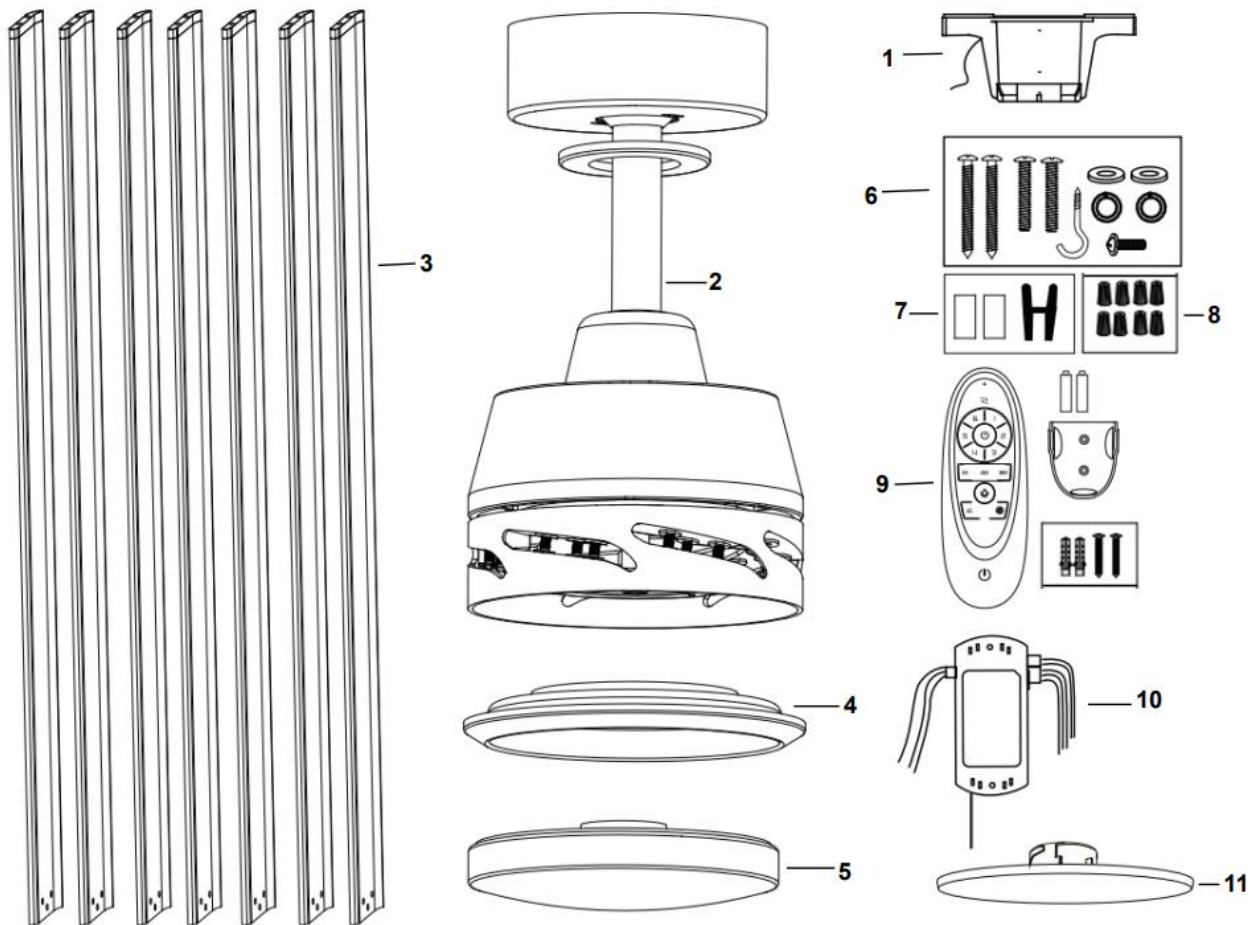


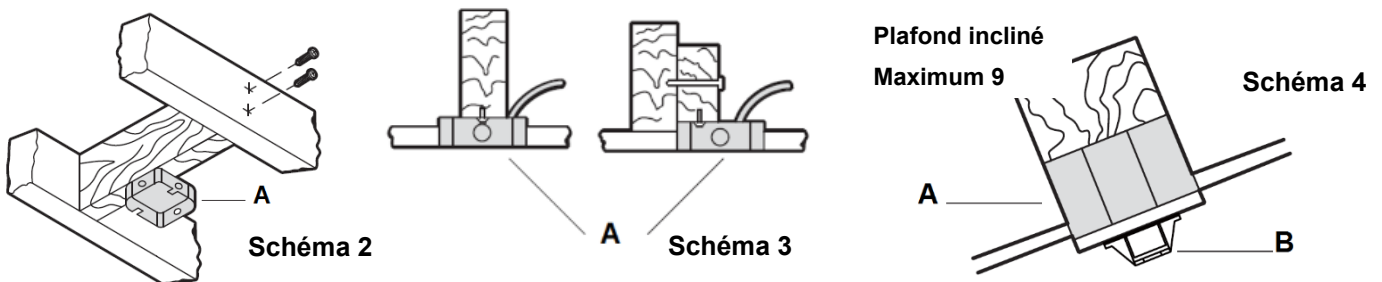
Schéma 1

1	Support de montage x 1	7	Kit d'équilibrage de la pale x 1
2	Assemblage du ventilateur x 1	8	Écrou de fil x 8
3	Pales de ventilateur x 7	9	Télécommande x 1 (piles x 2 / support de télécommande x 1 / vis x 2 / chevilles x 2)
4	Plaque du kit d'éclairage x 1	10	Récepteur x 1
5	Lampe GX53 x 1	11	Plaque décorative non lumineuse x 1
6	Vis à bois x 2 / Vis à métaux x 2 / Rondelle plate x 2 / Rondelle élastique x 2 // Crochet de sécurité x 1 / Vis de moteur de rechange pour la pale x1		

INSTALLATION DU SUPPORT DE MONTAGE

S'il n'y a pas de boîtier de sortie existant, installez-en un en suivant les instructions suivantes :

- Déconnectez l'alimentation en retirant les fusibles ou en désactivant les disjoncteurs.
- Fixez le boîtier de sortie (A) (non inclus) directement à la structure du bâtiment. Utilisez les fixations et le matériel appropriés (non inclus). Le boîtier de sortie et son support doivent être en mesure de supporter pleinement le poids du ventilateur en mouvement (au moins 35 livres). N'utilisez pas de boîtier de sortie en plastique.
- Les schémas 2 et 4 ci-dessous illustrent trois manières différentes de monter le boîtier de sortie (A) (non fourni).



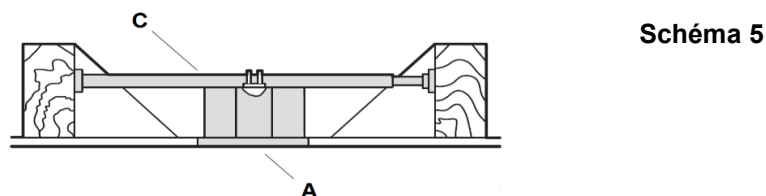
Ce système de suspension de ventilateur supporte une installation sur un plafond incliné de 9 degrés au maximum. **Schéma 4**

REMARQUE : Si vous installez le ventilateur de plafond sur un plafond incliné, vous aurez peut-être besoin d'une tige de suspension plus longue pour conserver un jeu suffisant entre la pointe de la pale et le plafond.

REMARQUE : Le ventilateur de plafond doit être installé dans un endroit tel que les pales soient espacées de 300 mm de la pointe de la pale jusqu'aux objets ou aux murs les plus proches.

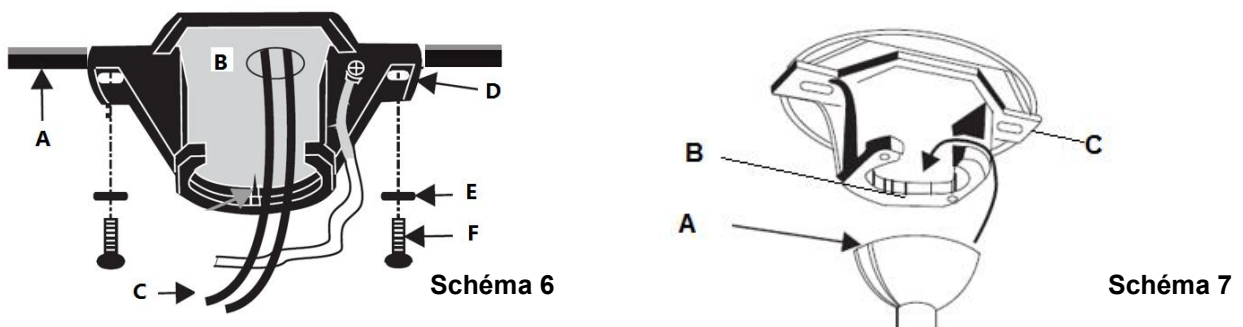
REMARQUE : Pour une installation sur un plafond incliné, l'ouverture du support de montage (B) doit être dirigée vers le sommet.

Pour suspendre votre ventilateur là où il y a un luminaire existant mais pas de solive de plafond, vous aurez peut-être besoin d'une barre de suspension d'installation (C), comme illustré sur le **schéma 5**. Assurez-vous que la barre de suspension que vous avez achetée a été conçue pour être utilisée avec un ventilateur de plafond.



SUSPENSION DU VENTILATEUR

Faites passer les fils d'alimentation (C) du boîtier de sortie du plafond (B) par le centre du support de montage au plafond (D). Installez le support de montage au plafond (D) sur le boîtier de sortie (B) à l'aide des vis de montage (F) fournies avec le boîtier de sortie, et les rondelles (E) fournies avec le ventilateur. **Schéma 6**



Soulevez le ventilateur sur le support de montage. Assurez-vous que la tige de suspension (A) de la boule de suspension est positionnée sur la butée (B) du support de montage (C) afin d'empêcher le ventilateur de tourner en cours de fonctionnement. **Schéma 7**

INSTALLATION DU VENTILATEUR**INSTALLATION DES PALES (Schéma 8)**

1. Avant d'installer les pales, retirez les vis des pales du moteur du bas de l'assemblage du moteur du ventilateur.
2. Insérez la pale dans la fente de l'élément rotatif de l'assemblage du moteur du ventilateur.
3. Alignez et engagez les trous de la pale sur le support de la pale.
4. Fixez la pale à l'assemblage du moteur du ventilateur en serrant les 3 vis de la pale.
Assurez-vous que toutes les vis sont serrées uniformément pour réduire les risques de déformation ou de déséquilibre.
Veillez à ne pas trop serrer les vis, car cela pourrait endommager les pales.

Notez que le côté correct des pales portant l'inscription « THIS SIDE UP » doit être orienté vers le ventilateur.

5. Répétez le même processus pour les autres pales.

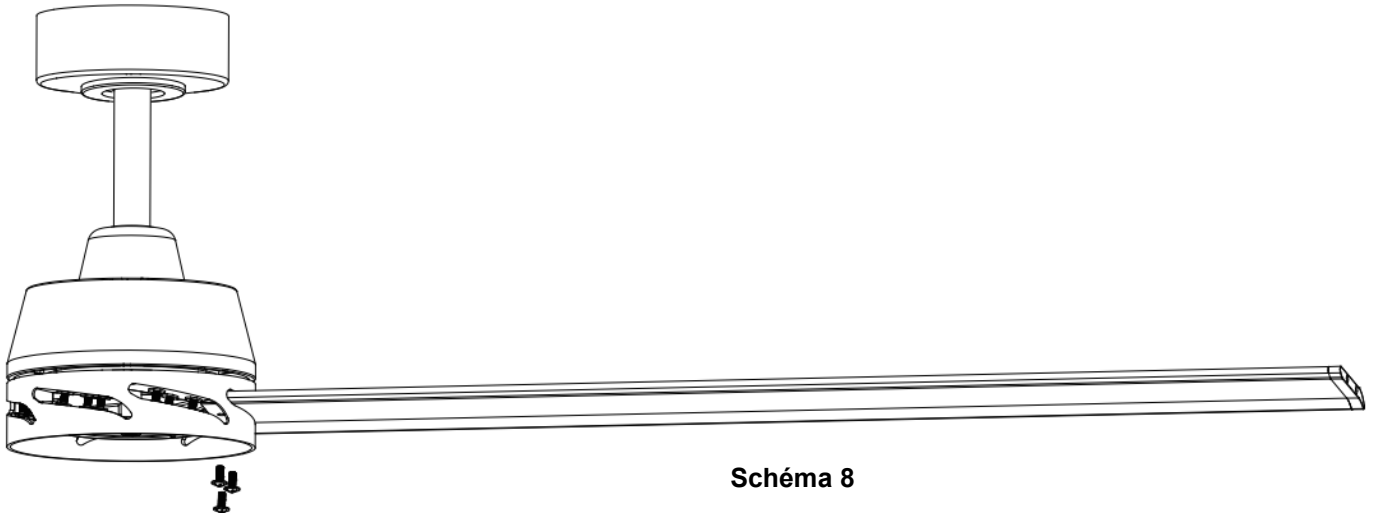


Schéma 8

REMARQUE : Ne faites pas tourner le moteur sans les pales installées !

INSTALLATION DU KIT D'ÉCLAIRAGE (schéma 9)

- Alignez les deux vis à fente de la partie moteur avec les fentes en trou de serrure du support du kit d'éclairage (3).
- Tournez le support du kit d'éclairage dans le sens inverse des aiguilles d'une montre jusqu'à ce que les vis de la fente soient fermement placées à l'extrémité des fentes.

Serrez la vis (2) et les 2 vis à fente pour fixer le support du kit d'éclairage. **Schéma 9a**

Installez la lampe (4) dans le support de lampe GX53 (5). Ne dépassez pas la puissance nominale maximale.

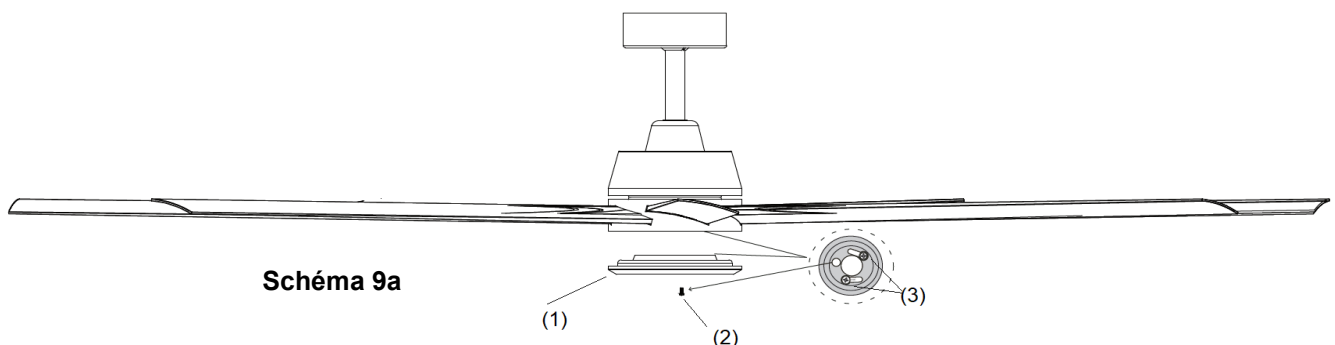
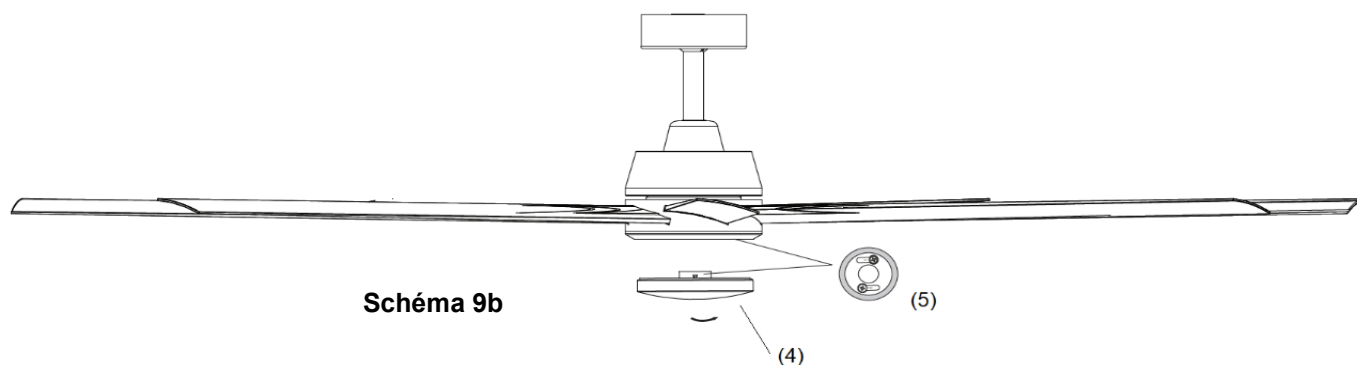
Schéma 9b

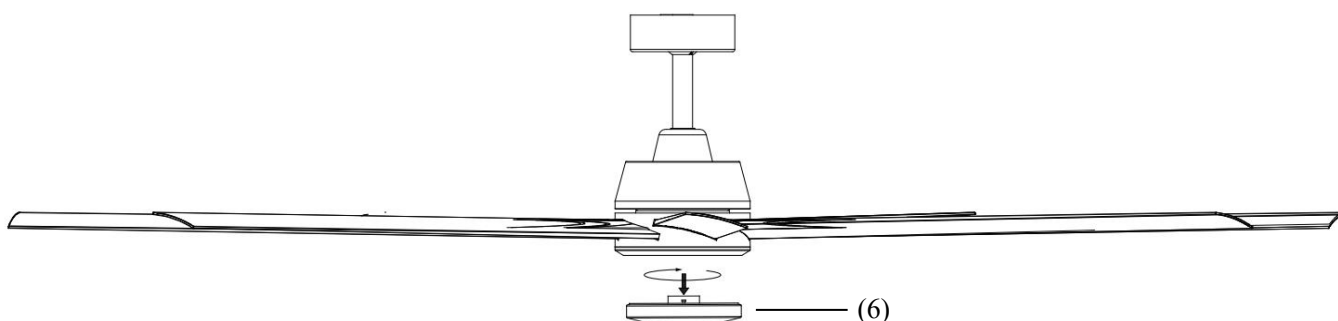
Schéma 9a



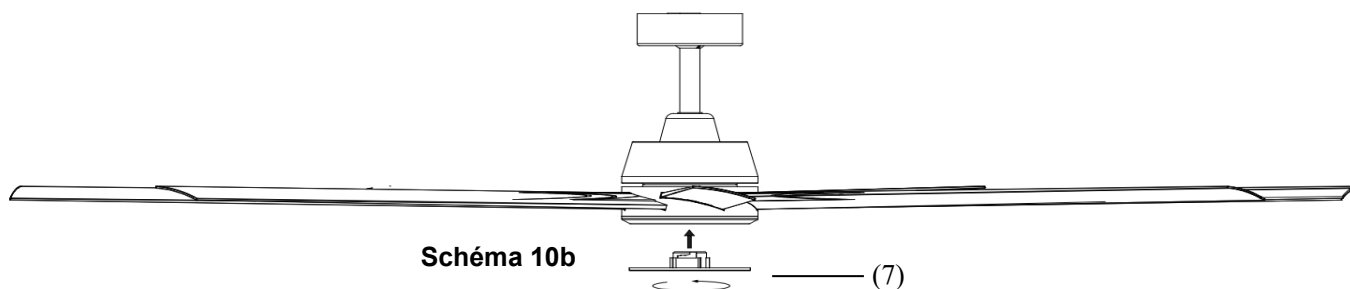
INSTALLATION DE LA PLAQUE DÉCORATIVE NON LUMINEUSE (Schéma 10)

Si aucune lampe n'est nécessaire, installez la plaque décorative non lumineuse.

- Enlevez la lampe (6) du support de lampe GX53. **Schéma 10a**



- Installez la plaque décorative non lumineuse (7) sur le support lumineux. **Schéma 10b**



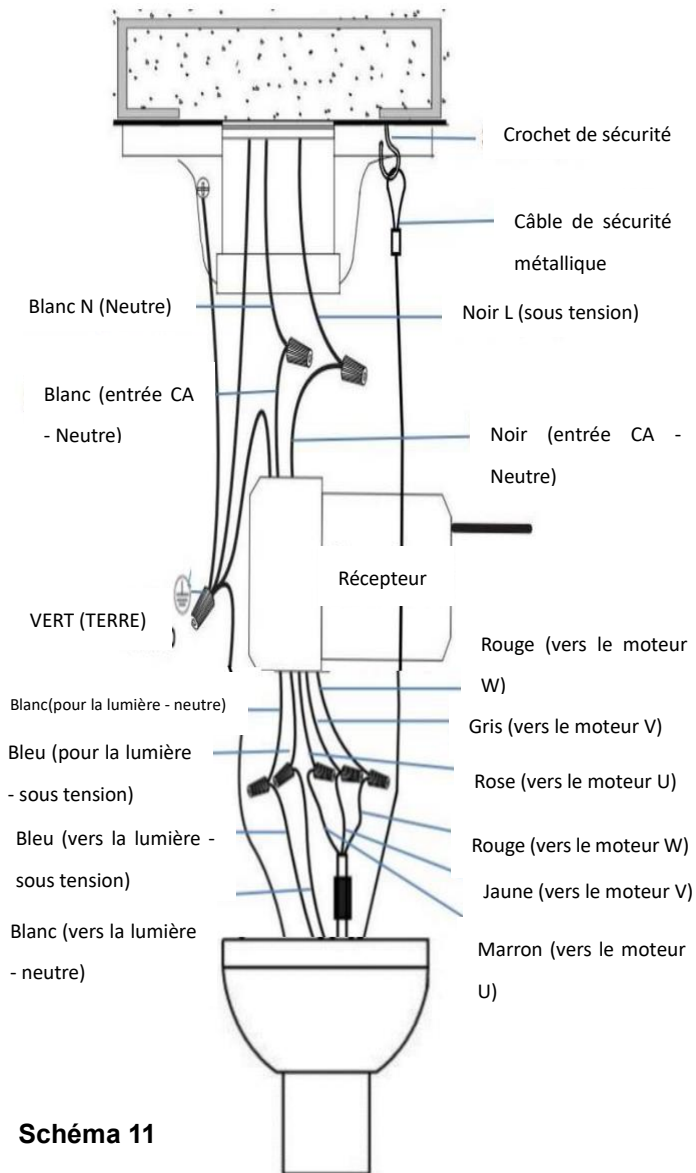
- Complétez le câblage électrique conformément à la section « SCHÉMA DE CÂBLAGE ÉLECTRIQUE » ci-dessous. (Schéma 11)

Remarque : Le ventilateur ATLANTA 72" est un ventilateur à technologie CC et ne peut pas être utilisé avec un interrupteur mural CA. En cas d'utilisation d'un interrupteur mural, utilisez un interrupteur mural à bascule marche/arrêt uniquement, laissez-le toujours en position de marche et utilisez la télécommande.

SCHÉMA DE CÂBLAGE ÉLECTRIQUE

AVERTISSEMENT : Pour éviter tout risque d'électrocution, assurez-vous d'avoir coupé l'alimentation au niveau du panneau de circuit principal.

Suivez les étapes ci-dessous pour connecter le ventilateur au câblage de votre domicile. Utilisez les écrous de connexion des fils fournis avec votre ventilateur. Fixez les connecteurs avec du ruban isolant. Assurez-vous qu'il n'y a pas de brins de fils ou de connexions desserrés.



1. Raccordez le fil d'alimentation secteur domestique (noir) au fil d'entrée du récepteur (noir, entrée CA - sous tension), comme illustré sur le schéma 11.

2. Connectez le fil d'alimentation neutre (blanc) au fil d'entrée du récepteur (blanc, entrée CA Neutre).

3. Connectez le fil de terre domestique aux fils de terre du ventilateur (vert) du moteur, de la tige de suspension, du support de montage du ventilateur et des fils de terre du récepteur ensemble. Connectez tous les fils de terre ensemble à l'aide du connecteur torsadé.

4. Connectez le fil de sortie du récepteur (blanc, pour la lumière - Neutre) au fil d'entrée du moteur (blanc, lumière).

5. Connectez le fil de sortie du récepteur (bleu, pour la lumière - Sous tension) au fil d'entrée du moteur (bleu, vers la lumière - sous tension).

6. Connectez le fil de sortie du récepteur (rose, vers le moteur U) au fil d'entrée du moteur (marron, vers le moteur U).

7. Connectez le fil de sortie du récepteur (gris, vers le moteur V) au fil d'entrée du moteur (jaune, vers le moteur V).

8. Connectez le fil de sortie du récepteur (rouge, vers le moteur W) au fil d'entrée du moteur (rouge, vers le moteur W)

9. Tirez le câble de sécurité métallique sur le crochet de sécurité, serrez le câble de sécurité. **(Schéma 12)**

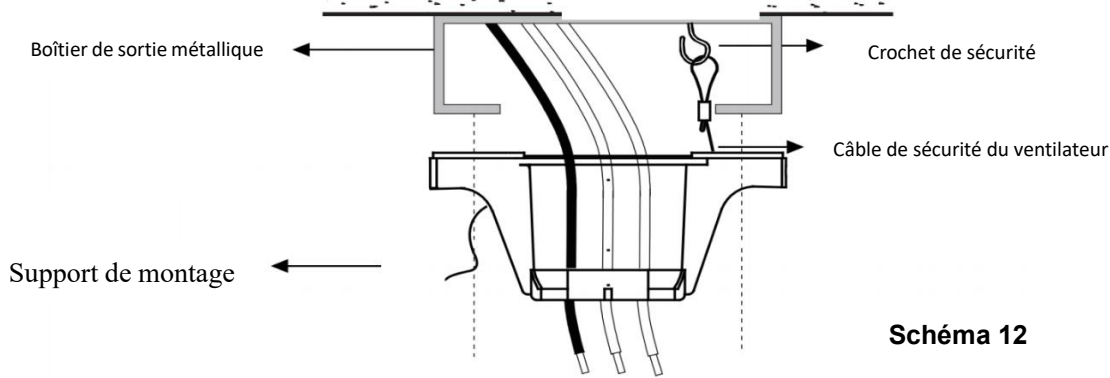


Schéma 12

10. Tournez les écrous de connexion vers le haut et poussez le câblage dans le boîtier de sortie.

11. Insérez soigneusement le récepteur à distance au-dessus de la boule de suspension dans l'espace restant dans le support de montage. Veillez à ne pas endommager ni desserrer le câblage. **(Schéma 13)**

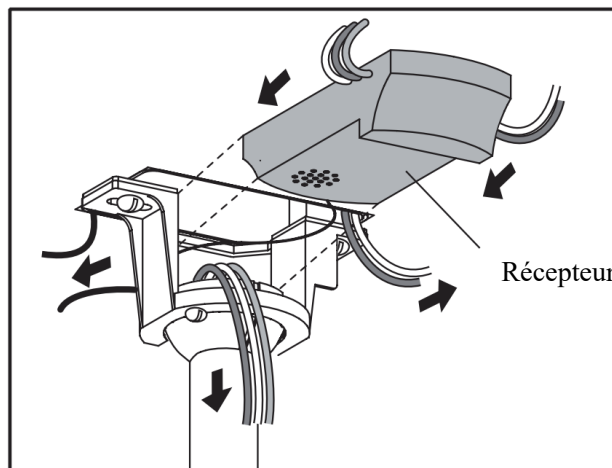


Schéma 13

FINITION DE L'INSTALLATION

INSTALLATION DU CACHE (schéma 14)

- Desserrez les 2 vis du bas du support de montage.
- Faites glisser le cache jusqu'au support de montage et alignez les trous de clavette du cache avec les vis du support de montage. Tournez le cache jusqu'à ce qu'il se verrouille en place avec la section étroite des trous de clavette et fixez-le en serrant les deux vis. Évitez d'endommager le câblage électrique préalablement préparé.
- Faites glisser l'anneau de recouvrement du cache jusqu'au cache et cliquez dessus pour recouvrir les vis du cache.

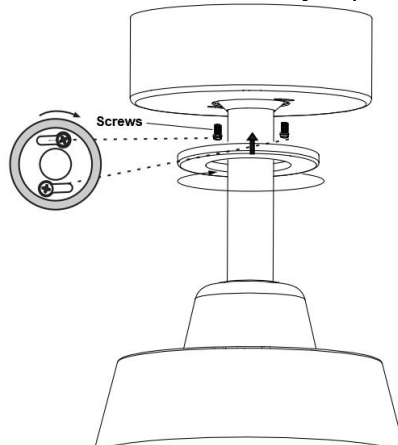


Schéma 14

INSTALLATION DU SUPPORT DE TÉLÉCOMMANDE (Schéma 15)

Installez le support (A) au mur avec les deux vis fournies (B), suspendez la télécommande sur le support.

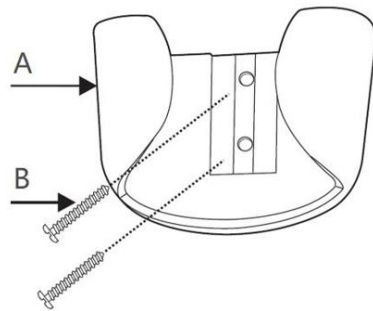


Schéma 15

UTILISATION DE VOTRE VENTILATEUR DE PLAFOND**TÉLÉCOMMANDE (Schéma 16)**

- Ouvrez le couvercle du compartiment des piles en retirant la vis de fixation et insérez 2 piles de type AAA. Respectez le sens des polarités (+/-) des piles lorsque vous les insérez, puis remettez le couvercle en place et fixez-le avec la vis.
- Testez la télécommande en appuyant sur n'importe quel bouton et en le maintenant enfoncé. Une LED bleue s'allumera en haut de la télécommande pour indiquer que la télécommande est sous tension et qu'elle est prête à être utilisée pour contrôler le ventilateur.
- Suivez le guide ci-dessous pour faire fonctionner le ventilateur et apprendre ses fonctions.

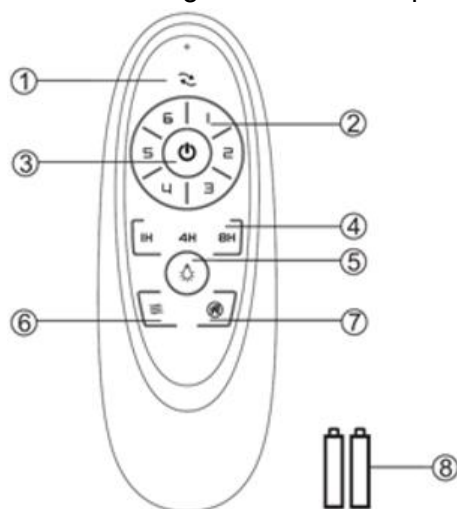


Schéma 16

- Direction du ventilateur (interrupteur de marche arrière)
- Vitesse du ventilateur
- Marche / Arrêt du ventilateur
- Contrôle de la temporisation du ventilateur
- Allumer / éteindre la lumière
- Vent naturel
(Appuyez sur le bouton pour régler automatiquement le ventilateur à une vitesse variable. Si le ventilateur fonctionne à la vitesse 1, 2, 3, appuyez sur ce bouton pour laisser le ventilateur tourner à une vitesse de changement inférieure. Si le ventilateur fonctionne à la vitesse 4,5,6, appuyez sur ce bouton pour laisser le ventilateur fonctionner à une vitesse de changement plus élevée).
- Fonction antivol (la lumière s'allume 5 à 20 minutes toutes les 2 heures)
- 2 piles de type 1,5 V AAA (incluses)

La lumière LED a une fonction de gradation en 3 étapes qui est contrôlée par un interrupteur MARCHE / ARRÊT. Lorsque la lumière LED est allumée et que sa luminosité est de 100 %, appuyez sur le bouton d'éclairage pour l'allumer puis éteignez-la dans les 5 secondes, pour diminuer la luminosité du luminaire LED. Répétez l'opération en appuyant sur MARCHE puis sur ARRÊT dans les 5 secondes pour augmenter la luminosité dans l'ordre suivant : 100 % de luminosité → 50 % de luminosité → 20 % de luminosité → 100 % de luminosité.

Pour revenir à une luminosité de 100 % à n'importe quel moment, éteignez le luminaire, puis attendez 5 secondes avant de rallumer le luminaire, il se réinitialisera à une luminosité de 100%.

La télécommande a une fonction de mémoire. Si le ventilateur est arrêté par l'interrupteur d'isolement pendant plus de 5 secondes, la prochaine mise en marche du ventilateur se fera sur la base du dernier réglage.

RÉ-APPARIEMENT DU RÉCEPTEUR DU VENTILATEUR ET DE LA TÉLÉCOMMANDE

REMARQUE : L'appariement de la télécommande et du récepteur a été effectué en usine.

Lorsque le ventilateur de plafond est installé, il n'est **PAS** nécessaire d'apparier le récepteur du ventilateur et la télécommande.

REMARQUE : le ventilateur est un ventilateur à courant continu. Un léger « balbutiement » aura lieu lors de l'appariement. Dans l'un ou l'autre sens de rotation, le ventilateur montrera un certain « balbutiement » avant de commencer la rotation ; ce phénomène est normal. .

Si la télécommande et le récepteur perdent le contrôle après l'installation ou pendant l'utilisation, l'appariement de la télécommande et du récepteur doit être effectué de nouveau. Vous trouverez ci-dessous les symptômes de dysfonctionnement et la méthode pour ré-apparier la télécommande et le récepteur du ventilateur de plafond CC.

Problèmes :

- Perte de contrôle - Le ventilateur ne fonctionne qu'à grande vitesse après l'installation.
- Perte de contrôle - Pas de fonction inverse après l'installation.
- Perte de contrôle - La télécommande ne peut pas communiquer avec le récepteur.

Solutions :

- Coupez l'alimentation principale du ventilateur de plafond.
- Activez l'alimentation principale du ventilateur de plafond. Appuyez sur le bouton Marche / Arrêt de la télécommande et maintenez-le enfoncé pendant 5 secondes dans les 30 secondes qui suivent la mise sous tension. Le récepteur émettra un bip sonore pour indiquer que le processus d'appariement a réussi.
- Mettez le ventilateur de plafond en marche et sélectionnez les différentes vitesses du ventilateur de plafond pour vérifier le fonctionnement du ventilateur.

APRÈS L'INSTALLATION**TREMBLEMENTS :**

REMARQUE : les ventilateurs de plafond ont tendance à bouger en cours de fonctionnement car ils sont montés sur un œillet en caoutchouc. Si le ventilateur était monté de manière rigide au plafond, cela provoquerait des vibrations excessives. Un mouvement de quelques centimètres est tout à fait acceptable et NE suggère AUCUN problème.

POUR RÉDUIRE LES TREMBLEMENTS DU VENTILATEUR : Veuillez vérifier que toutes les vis qui fixent le support de montage sont bien serrées.

KIT D'ÉQUILIBRAGE : Un kit d'équilibrage est fourni pour équilibrer le ventilateur de plafond lors de l'installation initiale. Veuillez vous référer aux instructions sur la façon d'utiliser le kit d'équilibrage. Le kit d'équilibrage peut être utilisé pour faciliter le rééquilibrage si le ventilateur de plafond devient déséquilibré. Rangez votre kit d'équilibrage après l'installation pour une future utilisation si nécessaire.

BRUIT :

Lorsque l'environnement est calme (surtout la nuit), vous pouvez entendre de petits bruits occasionnels. De légères fluctuations de puissance et des signaux de fréquence superposés à l'électricité pour le contrôle de l'eau chaude en période creuse peuvent provoquer une modification du bruit du moteur du ventilateur. Ce phénomène est normal. Veuillez prévoir une période de « rodage » de 24 heures, la plupart des bruits associés à un nouveau ventilateur disparaissent après cette période. Tous les moteurs électriques sont audibles dans une certaine mesure. Veuillez noter qu'il ne s'agit pas d'un défaut du produit et que, de ce fait, il n'est pas couvert par la garantie.

ENTRETIEN ET NETTOYAGE

REMARQUE : Coupez toujours l'alimentation au niveau de l'interrupteur principal avant d'effectuer tout entretien ou de tenter de nettoyer votre ventilateur.

- 1) Tous les 6 mois, le nettoyage périodique de votre ventilateur de plafond est le seul entretien requis. Utilisez une brosse douce ou un chiffon non pelucheux pour éviter de rayer la peinture. Veuillez couper l'alimentation électrique lorsque vous procédez au nettoyage
- 2) Ne faites pas tremper ni immerger le produit dans de l'eau ou d'autres liquides. Cela pourrait endommager le moteur ou les pales et créer un risque de choc électrique.
- 3) Assurez-vous que le raccord n'entre pas en contact avec des solvants organiques ou des produits de nettoyage.
- 4) Pour nettoyer les pales du ventilateur, essuyez-les uniquement avec un chiffon propre et humide, SANS solvants ni détergents organiques.
- 5) Le moteur est doté d'un roulement à billes lubrifié en permanence, il n'est donc pas nécessaire de lubrifier.

INFORMATIONS TECHNIQUES

Dimensions du ventilateur	Vitesse	Volts (V)	Amps (A)	Watts (W)	TR/MIN	CFM	CFM/W	Poids net (livres)	C.F .
Série ATLANTA 72"	Extra-rapide	120	0,53	53,88W	136	8922,70	165,60	20,94	2.2
	Faible	120	0,10	4,50 W	64	4061,31	902,51	20,94	2.2

Ce sont des mesures approximatives. Elles ne comprennent pas les données pour les lampes ou les luminaires fixés au ventilateur de plafond.

GARANTIE

La garantie d'un an couvre l'ensemble du ventilateur. Veuillez vous référer à la carte de garantie pour les détails.