



FANAWAY EVO1 LED CEILING FAN WITH DIMMABLE AND COLOUR SHIFTING LED LIGHT

- **INSTALLATION**
- **OPERATION**
- **MAINTENANCE**
- **WARRANTY INFORMATION**

CAUTION

READ AND SAVE THESE INSTRUCTIONS CAREFULLY

FOR SAFE INSTALLATION AND FAN OPERATION.

For customer support, please contact:

Tel: +1 (949) 800 8488 Email: support@beaconlighting.us

www.beaconlighting.us.

US Patent 8317470, 8807938, 8790085, 9255584, 8851841

EN**THANK YOU FOR PURCHASING**

Thank you for purchasing this quality Fanaway product. To ensure correct function and safety, please read and keep all instructions before using the product.

SAFETY PRECAUTIONS**Read and Save These Instructions**

This product conforms to UL standard 507 and CSA STD. C22.2 NO.113.

1. **WARNING** - To avoid possible electrical shock, before installing or servicing your fan, disconnect the power by turning off the circuit breaker of the fuse box to the outlet box.
2. **WARNING** - To reduce the risk of fire, electric shock, or personal injury, mount to outlet box marked "acceptable for fan support of 35 lbs (15.9 kg) or less" and use the mounting screws provided with the outlet box and/or support directly from building structure. Most outlet boxes commonly used for the support of luminaries may not be acceptable for fan support and may need to be replaced. Consult a qualified electrician if in doubt.
3. **WARNING** - To reduce the risk of fire or electric shock, do not use this fan with any solid-state speed control device.
4. **WARNING** - To reduce the risk of personal injury, do not bend the blade brackets when installing the blade brackets balancing the blades, or cleaning the fan. Do not insert foreign objects in between rotating fan blades.
5. **CAUTIONS** - All wiring must be in accordance with the National Electrical Code (ANSI/NFPA 70) and local electrical codes. Electrical installation should be performed by a qualified licensed electrician.
6. To reduce the risk of injury to person, the fan must be mounted with a minimum of 7 feet clearance from the bottom edge of the blades to the floor.
7. After marking electrical connections, spliced conductors should be turned upward and pushed carefully up into the outlet box. The wires should be spread apart with the grounded conductor and the equipment-grounding conductor on one side of the outlet box.
8. This equipment has been tested and found to comply with the limits for a Class B digital device, pursuant to part 15 of the FCC rules. These limits are to provide reasonable protection against harmful interference in a residential installation. This equipment generates, uses and can radiate radio frequency energy and if not installed and used in accordance with the instructions may cause harmful interference to radio communications.

PARTS LIST

Unpack your ceiling fan and carefully identify the parts. Please refer to Fig 1.

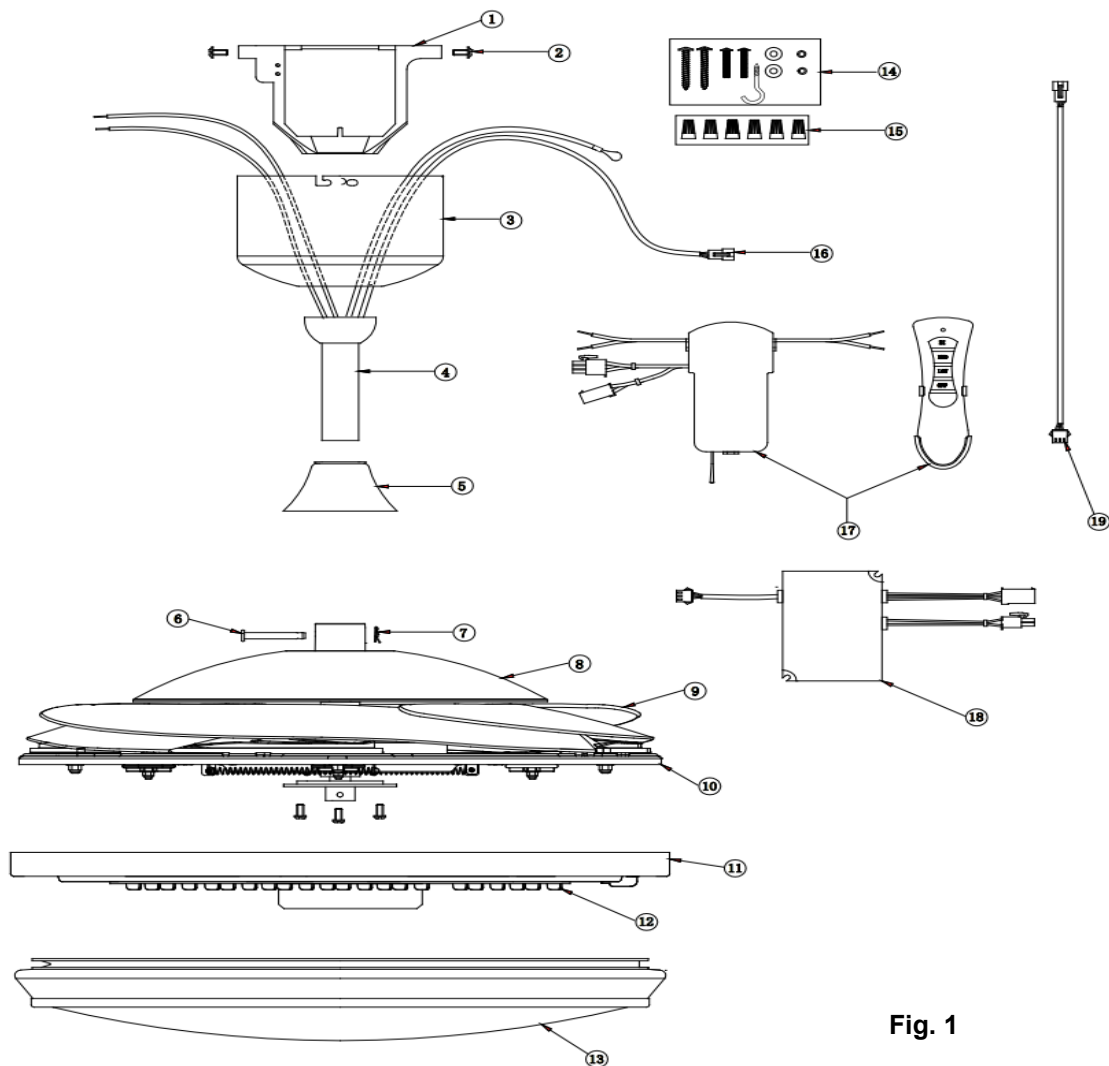


Fig. 1

- | | | | |
|----|------------------------------|----|------------------------------|
| 1 | Mounting bracket x 1 | 13 | Lamp shade x 1 |
| 2 | Canopy screws x 4 | 14 | • Wood screw x 2 |
| 3 | Canopy x 1 | | • Machine screw x 2 |
| 4 | Down rod with ball joint x 1 | | • Flat washer x 2 |
| 5 | Bolt and pin cover x 1 | | • Spring washer x 2 |
| | | | • Security Hook x 1 |
| 6 | Bolt x 1 | 15 | Wire nut x 6 |
| 7 | Pin x 1 | 16 | LED light cable x1 |
| 8 | Top housing x 1 | 17 | Receiver x 1 |
| 9 | Blade x 4 | | Remote x 1 set |
| 10 | Retraction mechanism x 1 | 18 | LED driver x 1 |
| 11 | Lamp base x 1 | 19 | LED light extension cable x1 |
| 12 | LED board x 1 | | |

INSTALLING THE MOUNTING BRACKET

If there isn't an existing outlet box, then install one using the following instructions:

- Disconnect the power by removing the fuses or turning off the circuit breakers.
- Secure the outlet box (A) (not included) directly to the building structure. Use appropriate fasteners and materials (not included). The outlet box and its bracing must be able to fully support the weight of the moving fan (at least 35 lbs). Do not use a plastic outlet box.
- Figures below show three different ways to mount the outlet box (A) (not included).

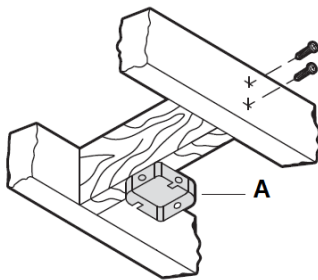


Fig. 2

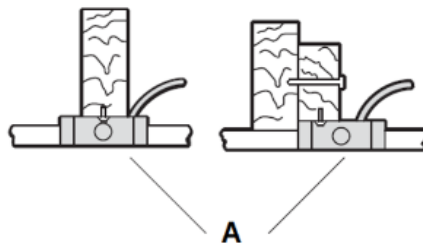


Fig. 3

Angled ceiling

Maximum 15°

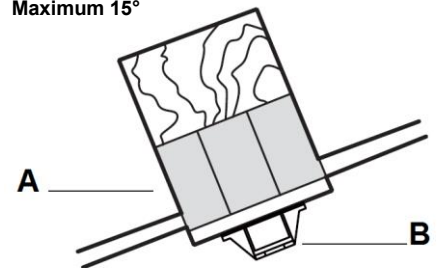


Fig. 4

This fan hanging system supports a maximum 15 degree angled ceiling installation. **Fig. 4**

NOTE: If you are installing the ceiling fan on a sloped ceiling, you may need a longer down rod to maintain proper clearance between the tip of the blade and the ceiling.

NOTE: The ceiling fan must be installed in a location so that the blades are spaced 300mm from the tip of the blade to the nearest objects or walls.

NOTE: For angled ceiling installation, the opening of the mounting bracket (B) must be pointed toward the peak.

To hang your fan where there is an existing fixture but no ceiling joist, you may need an installation hanger bar (C) as shown in **Fig.5**. Make sure the hanger bar you purchase has been designed for use with ceiling fans.

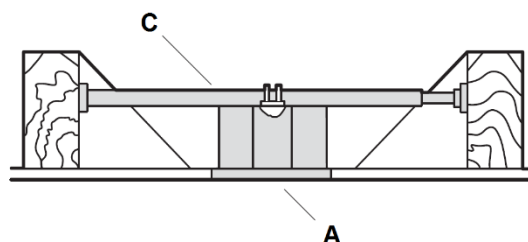


Fig. 5

INSTALLING THE DOWN ROD

- 1) Remove the ball joint (4) from down rod (6) by loosening the set screw (3), insert the motor wires (1) and LED light cable (2) through the down rod (6).
- 2) Insert the down rod to the coupling (8), line up the coupling holes with the down rod holes and insert the bolt (9). Then insert the pin (10) to the end of the bolt.
- 3) Secure the down rod and coupling by tightening the two set screws (11) on the coupling.
- 4) Feed the bolt and pin cover (7) and the canopy (5) through the down rod.
- 5) Secure the ball joint back to the down rod. Fig. 6

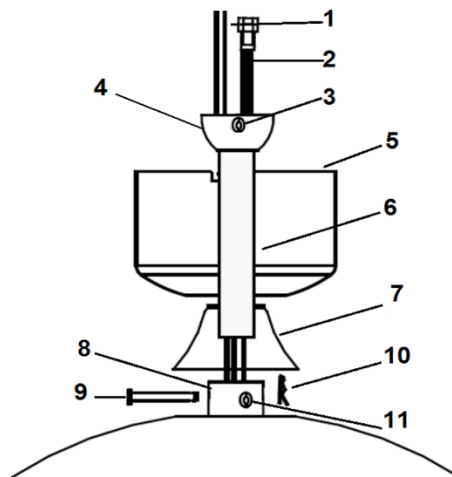


Fig. 6

NOTE: When installing the fan with extension down rod, please use the LED light extension cable (19 - Fig. 1).

HANGING THE FAN

Pass the power supply wires (C) from the ceiling outlet box (B) through the center of the ceiling mounting bracket (D). Install the ceiling mounting bracket (D) on the outlet box (B) with the mounting screws (F) provided with the outlet box and washers (E) provided with fan. Fig. 7

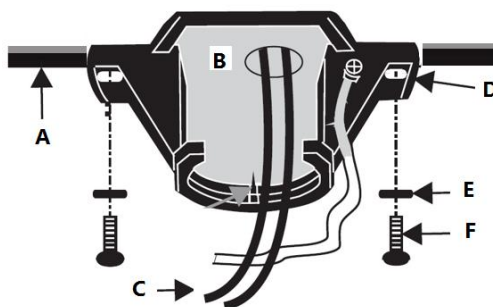


Fig. 7

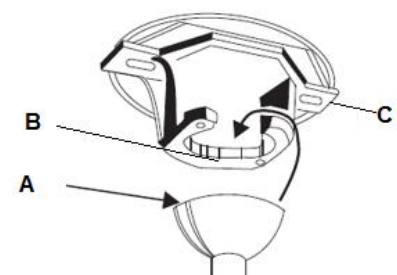


Fig. 8

Lift the fan assembly onto the mounting bracket. Ensure the registration slot (A) of the hanger ball is positioned on the stopper (B) of the mounting bracket (C) to prevent the fan from rotating when in operation. Fig.8

FAN INSTALLATION

Light kit installation

CAUTION – To reduce the risk of electric shock, disconnect the electrical supply circuit to the fan before installing light kit. Light kit weight: 6 .16 lb.

1. Remove the lamp shade (5) from the lamp base (4) by turning it anti-clockwise.
2. Loosen the screw (1) from the base bracket (3). Align the two slot screws (2) with the keyhole slots of the lamp base (4).
3. Turn the lamp base counter clockwise until the slot screws are firmly at the end of the slots.
4. Secure screw (1) back to the base bracket. Tighten all three screws. Do not over-tighten.
5. Connect the upper plug (6) from the fan to the lower socket (6) in the LED board (7).
6. Finally install the lamp shade to the lamp base by turning it clockwise. Fig.9

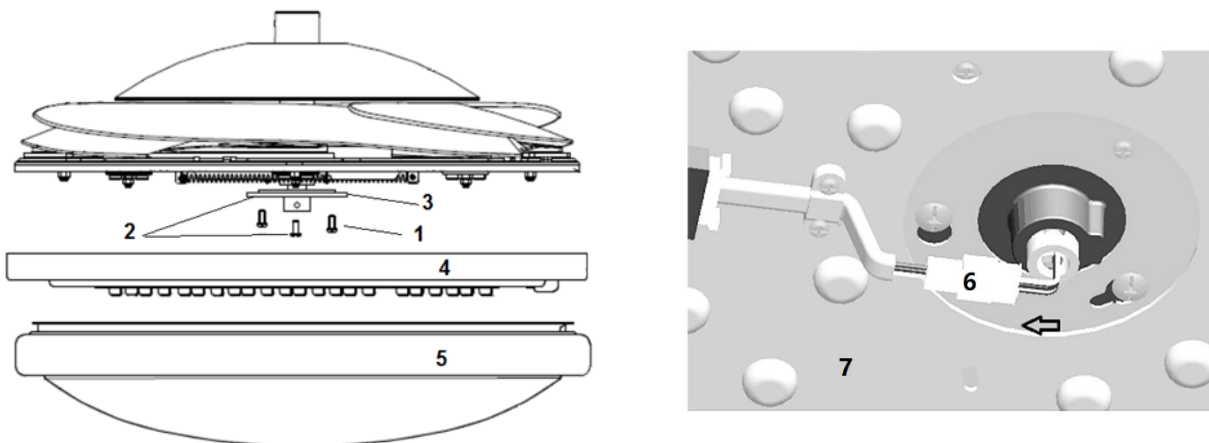


Fig. 9

ELECTRICAL WIRING DIAGRAM

WARNING: To avoid possible electrical shock, be sure you have turned off the power at the main circuit panel.

Follow the steps below to connect the fan to your household wiring. Use the wire connecting nuts supplied with your fan. Secure the connectors with electrical tape. Make sure there are no loose wire strands or connections.

1. Connect the household live supply wire (black) to receiver input wire (black, AC IN L) as shown in **Fig. 10a**.
2. Connect the household neutral supply wire (white) to the receiver input wire (white, AC IN N).
3. Connect the household ground wire to the fan bracket ground wire (green) and fan body ground wire.

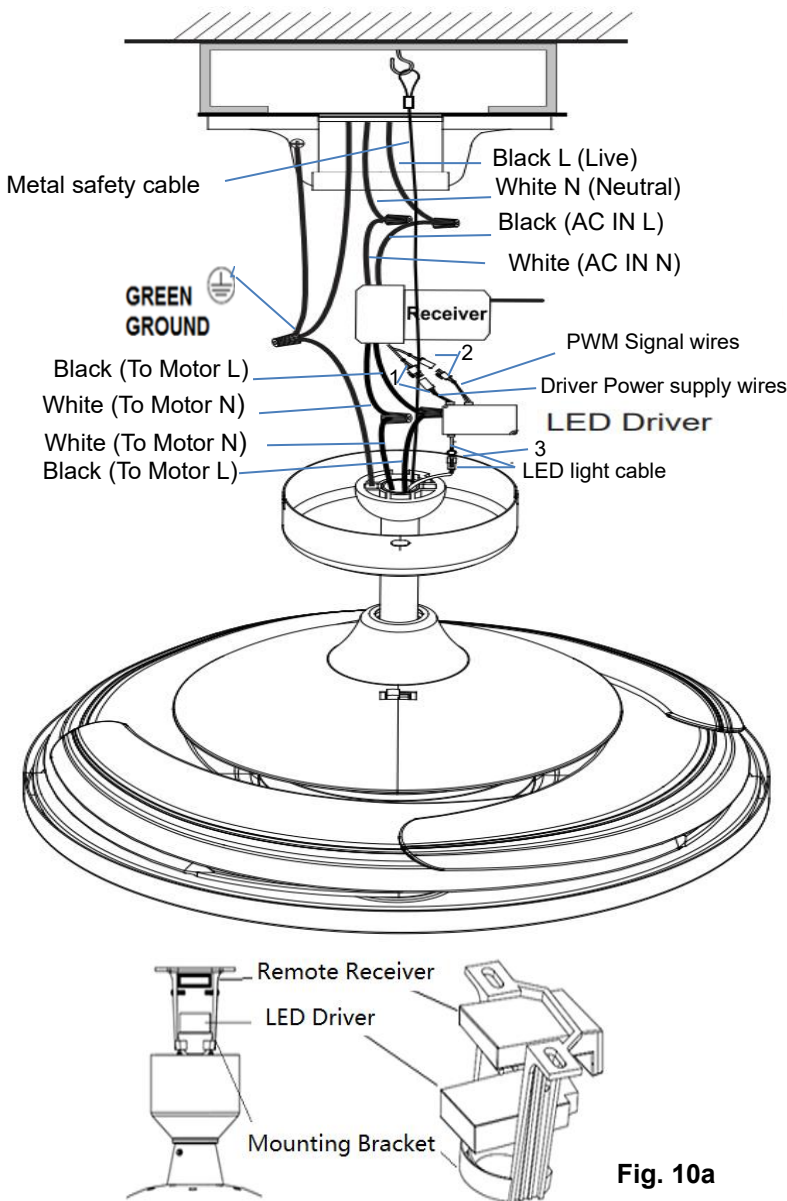


Fig. 10a

of the mounting bracket, and then insert the remote receiver into the top layer of the mounting bracket.

4. Connect the receiver output wire (black, TO MOTOR L) to motor live input wire (black, TO MOTOR L).
5. Connect the receiver output wire (white, TO MOTOR N) to motor neutral input wire (white, TO MOTOR N)
6. Connect the LED driver power input wires and remote receiver power output wires via the 2-port quick connectors (3);
7. connect the LED driver PWM signal input wires and remote receiver PWM signal output wires via the 3-port quick connectors (2)
8. also connect the LED driver output wires and LED light wires via the quick connectors (1)
9. pull the metal safety cable on the security hook, tight the safety cable (Fig.10a & Fig10b)
10. After connecting the wires, spread them apart so that the green and white wires are on one side of the outlet box and the black and blue wires are on the other side.
11. Turn the connecting nuts upward and push the wiring into the outlet box.
12. Insert the LED driver into the lower layer

Safety calbe assembled

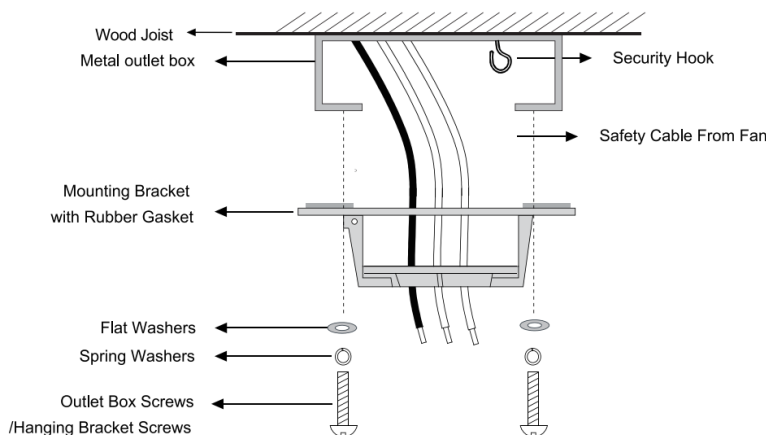


Fig. 10b

FINISHING THE INSTALLATION

Slide and align the canopy up to the mounting bracket. Ensure all electrical wiring is tucked inside the canopy and that the wires are not damaged during this step. Secure the canopy to the hanger bracket using the screws provided.

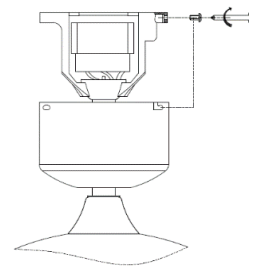


Fig. 11

USING YOUR CEILING FAN

SETTING DIP SWITCHES

When two or more fans are located near each other, you may desire to have the receiver/transmitter for each fan set to a different code, so that the operation of one fan does not affect the operation of the other fans.

The DIP switches for the receiver are located on the flat surface of the receiver. The DIP switches for the transmitter are in the battery compartment. **Fig. 12.**

NOTE: Ensure that the power to the supply wires has been turned off before setting the code.



Fig. 12

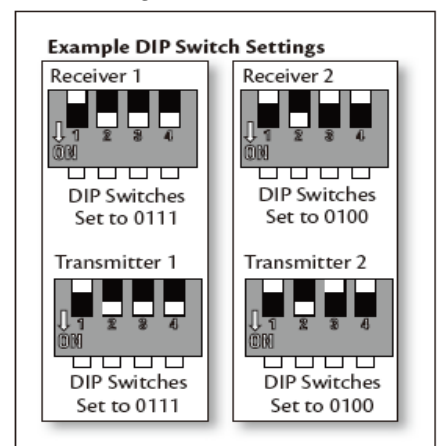


Fig. 13

Change the position of the DIP switches in the remote transmitter and the receiver. Make sure that the DIP switches match in the remote receiver and transmitter. If they don't match, the transmitter will not function. **Fig. 13**

INSTALLING THE REMOTE BATTERY

2 x AAA 1.5V (size) batteries are required to operate the remote control. Remove the battery cover from the back of the remote and insert 2 x AAA batteries. Ensure the polarities are correct as shown in the battery compartment. (Batteries included.)


OPERATING THE REMOTE:


Before you start using the remote, take the time to read through this section and get familiar with the buttons and function of each button.

1. LED Indicator

The red LED indicator on the top of the transmitter will flash when the buttons are active.

BUTTONS ON THE REMOTE

2. **HI:** Press this button to set the fan running at High speed.
3. **MED:** Press this button to set the fan running at Medium speed.
4. **LOW:** Press this button to set the fan running at Low speed.
5. **OFF:** Press this button to turn OFF the fan.
6.  : Press this button to change the color temperature in the following order:
3000K → 5000K → 4000K → 3000K

7.  : Press this button to turn ON/OFF the light and press and hold the button to access the light dimming function.

The remote has memory function. If the fan or light is turned off by the isolating switch, it will memorise and recover the last status when turned on next.

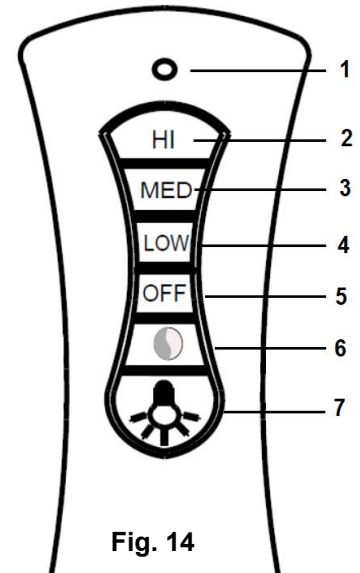


Fig. 14

INSTALLING THE TRANSMITTER HOLDER

Install the holder to the wall with two screws provided, hang up the transmitter by the holder.

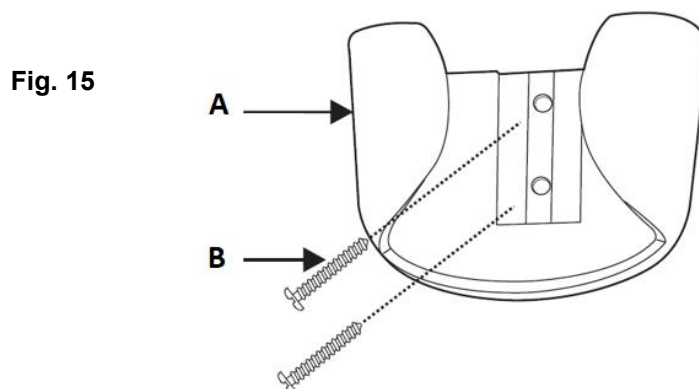


Fig. 15

AFTER INSTALLATION

WOBBLE:

NOTE: ceiling fans tend to move during operation due to the fact that they are mounted on a rubber grommet. If the fan was mounted rigidly to the ceiling it would cause excessive vibration. Movement of a few centimetres is quite acceptable and DOES NOT suggest any problem.

TO REDUCE THE FAN WOBBLE: Please check that all screws which fix the mounting bracket and down rod are secure.

NOISE:

When it is quiet (especially at night) you may hear occasional small noises. Slight power fluctuations and frequency signals superimposed in the electricity for off-peak hot water control, may cause a change in fan motor noise. This is normal. Please allow a 24-hour "breaking -in" period, most noises associated with a new fan disappear during this time. All electric motors are audible to some extent. Please note that this is not a product fault, and as such is not covered under warranty.

CARE AND CLEANING

- 1) Periodic cleaning of your ceiling fan is the only maintenance required. Use a soft brush or lint free cloth to avoid scratching the paint finish. Please turn OFF electricity power when you do so.
- 2) Ensure that the product does not come in contact with corrosive chemicals/solvents or abrasive cleaners etc.
- 3) To clean, wipe with a soft damp clean cloth. Do NOT soak or immerse the product in water or other liquids. It could damage the motor or the blades and create the possibility of an electrical shock.
- 4) The motor has a permanently lubricated ball bearing so there is no need to oil.

NOTE: Always turn OFF the power before attempting to clean your fan.

TECHNICAL INFORMATION

Fan Size	Speed	Volts (V)	Amps (A)	Watts (W)	RPM	CFM	CFM/W	N.W. (lbs)	G.W. (lbs)	C.F.
48" LD-0003-15/XXX/LE D/01	Extra-High	120	0.48	56.36W	240	4172.69	74.04	25.1	30.1	4.1
	Medium	120	0.33	32.59W	170	3029.29	92.95	25.1	30.1	4.1
	High	120	0.21	19.37W	120	2115.13	109.20	25.1	30.1	4.1

These are approximate measurements. They do not include data for any lamps or fixtures attached to the ceiling fan.

WARRANTY

1 year warranty covers the entire fan. Please refer to warranty card for the details.



GRACIAS POR SU COMPRA

Gracias por adquirir este producto de calidad Fanaway. Para garantizar un funcionamiento correcto y seguro, lea y respete todas las instrucciones antes de usar el producto.

MEDIDAS DE SEGURIDAD

Lea y guarde estas instrucciones

Este producto cumple con la norma 507 de UL y CSA STD. C22.2 NO.113.

1. **ADVERTENCIA** - Para evitar posibles descargas eléctricas, corte la corriente que va a la caja eléctrica desde el disyuntor o la caja de fusibles.
2. **ADVERTENCIA** - Para reducir el riesgo de incendio, descarga eléctrica o lesión, móntelo en una caja eléctrica clasificada como «Apropiada para sostener ventiladores de 35 lb (15,9 kg) o menos», y utilice los tornillos de montaje suministrados con la caja eléctrica y/o fíjelo directamente a la estructura del edificio. La mayoría de las cajas eléctricas utilizadas comúnmente para el soporte de alumbrados puede que no sean apropiadas para sostener el ventilador y deban ser reemplazadas. Consulte con un electricista cualificado en caso de duda.
3. **ADVERTENCIA** - Para reducir el riesgo de incendio o electrocución, evite utilizar el ventilador con un dispositivo semiconductor para el control de la velocidad.
4. **ADVERTENCIA** - Para reducir el riesgo de lesión, no doble los soportes de las aspas cuando los instale en el que equilibran las aspas, o cuando limpie el ventilador. No inserte objetos entre las aspas en rotación.
5. **PRECAUCIÓN** - Todo el cableado debe realizarse cumpliendo con el Código Eléctrico Nacional (ANSI/NFPA 70) y los reglamentos de electricidad locales. La instalación eléctrica debería efectuarla un electricista acreditado.
6. Para reducir el riesgo de lesiones a personas, el ventilador debe montarse dejando un espacio mínimo de 2,1m desde el lado inferior de las aspas hasta el suelo.
7. Después de realizar las conexiones eléctricas, los conductores empalmados deben reorientarse hacia arriba y empujarse con cuidado hacia el interior de la caja eléctrica. Los cables deben quedar apartados, con el conductor de tierra y el conductor de tierra del dispositivo a un lado de la caja eléctrica.
8. Tras someterlo a una serie de pruebas, se ha constatado que este aparato cumple los límites exigidos para dispositivos digitales pertenecientes a la Categoría B, según lo establecido en la sección 15 de la legislación de la FCC. Estos límites están diseñados para proporcionar una protección razonable contra interferencias en instalaciones residenciales. Este aparato genera, usa y puede irradiar energía en forma de radiofrecuencia. En caso de no ser instalado y utilizado de acuerdo con las instrucciones, podría causar interferencias en las comunicaciones de radio.

LISTA DE PIEZAS

Desembale su ventilador de techo e identifique perfectamente sus componentes. Consulte la Fig. 1.

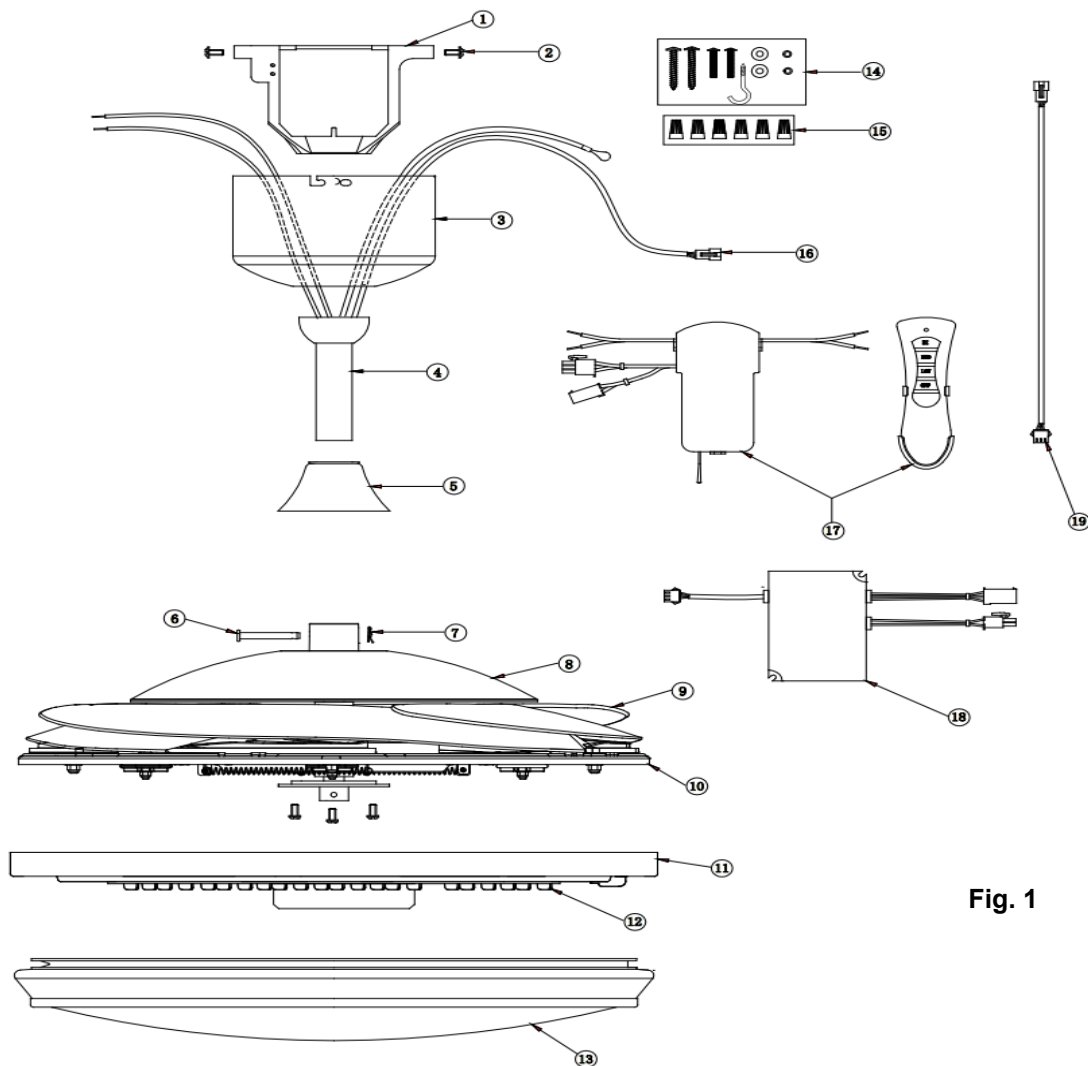


Fig. 1

- | | | | |
|----|-----------------------------|----|--------------------------------------|
| 1 | Soporte de montaje x 1 | 13 | Pantalla de la lámpara x 1 |
| 2 | Tornillos del florón x 4 | 14 | • Tornillo para madera x 2 |
| 3 | Florón x 1 | | • Tornillo para metal x 2 |
| 4 | Tija con junta esférica x 1 | | • Arandela plana x 2 |
| 5 | Tapa de perno y pasador x 1 | | • Arandela de resorte x 2 |
| | | | • Gancho de seguridad x 1 |
| 6 | Perno x 1 | 15 | Tuerca de alambre x 6 |
| 7 | Pasador x 1 | 16 | Cable de la luz LED x1 |
| 8 | Carcasa superior x 1 | 17 | Receptor x 1 |
| 9 | Aspa x 4 | | Mando a distancia x 1 juego |
| 10 | Mecanismo de retracción x 1 | 18 | Controlador LED x 1 |
| 11 | Base de la lámpara x 1 | 19 | Cable de extensión de la luz LED x 1 |
| 12 | Tablero LED x 1 | | |

INSTALACIÓN DEL SOPORTE MURAL

Si no hay una caja eléctrica ya instalada, instale una siguiendo estas instrucciones:

- Corte la corriente quitando los fusibles o bajando los disyuntores.
- Asegure la caja eléctrica (A) (no incluida) directamente a la estructura del edificio. Utilice los elementos y materiales de fijación apropiados (no incluidos). La caja eléctrica y su apuntalamiento deben ser capaces de soportar el peso del ventilador en movimiento (15,9 kg como mínimo). No utilice una caja eléctrica de plástico.
- Las imágenes más abajo muestran tres maneras diferentes de montar la caja eléctrica (A) (no incluida).

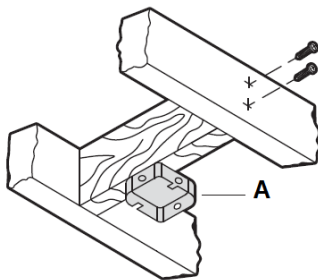


Fig. 2

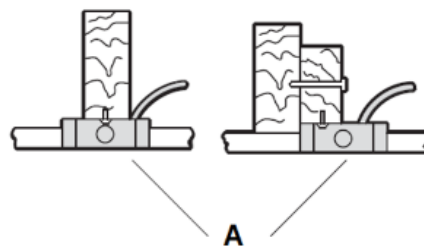


Fig. 3

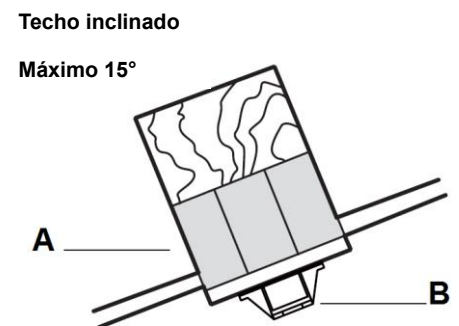


Fig. 4

Este ventilador con sistema colgante puede ser instalado en un techo con una inclinación máxima de 15 grados. **Fig. 4**

NOTA: Si está instalando el ventilador en un techo inclinado, puede que sea necesario utilizar una tija más larga para mantener el espacio necesario entre el extremo del aspa y el techo.

NOTA: El ventilador de techo debe instalarse en un lugar donde los extremos de las aspas queden a 300 mm como mínimo de las paredes y otros objetos.

NOTA: Para la instalación en techos inclinados, la abertura del soporte del ventilador (B) debe apuntar hacia el pico del techo.

Para colgar su ventilador donde ya haya un elemento de instalación pero sin vigas, puede que necesite instalar una barra para colgar (C) como la mostrada en la imagen 5. Asegúrese de que la barra de colgar que adquiera haya sido diseñada para usarse con ventiladores de techo.

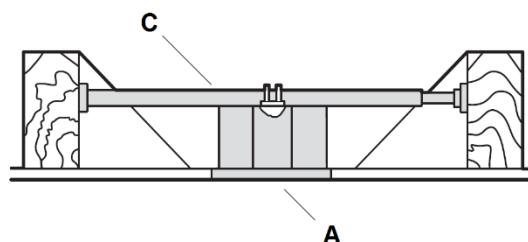


Fig. 5

INSTALACIÓN DEL VENTILADOR

Instalación de la tija

- 1) Retire la junta esférica (4) de la tija (6) aflojando el juego de tornillos (3), inserte los cables del motor (1) y el cable de la luz LED (2) a través de la tija (6).
- 2) Inserte la tija en el acoplamiento (8), alinee los orificios del acoplamiento con los orificios de la tija e inserte el perno (9). A continuación, inserte el pasador (10) en el extremo del perno.
- 3) Fije la tija y el acoplamiento apretando los dos tornillos de fijación (11) del acoplamiento.
- 4) Pase el perno y la tapa del pasador (7) y el florón (5) a través de la tija.
- 5) Fije la junta esférica de nuevo en la tija. Fig. 6

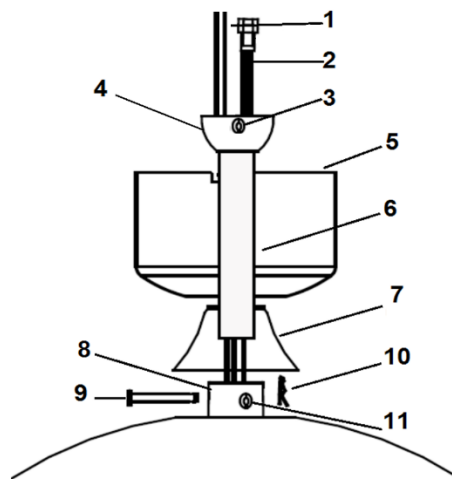


Fig. 6

NOTA: Al instalar el ventilador con la tija de extensión, use el cable de extensión de la luz LED (19 - Fig. 1).

CÓMO COLGAR EL VENTILADOR

Pase los cables de corriente (C) de la caja eléctrica del techo (B) por el centro del soporte mural del techo (D). Instale el soporte mural del techo (D) en la caja eléctrica (B) con los tornillos de montaje (F) incluidos con la caja eléctrica y las arandelas (E) incluidas con el ventilador. Fig. 7

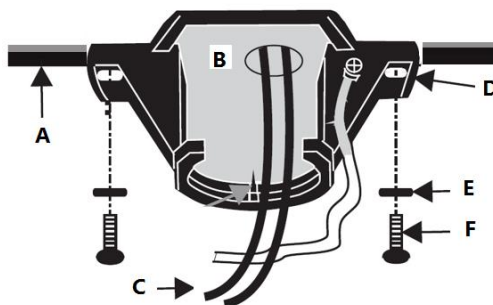


Fig. 7

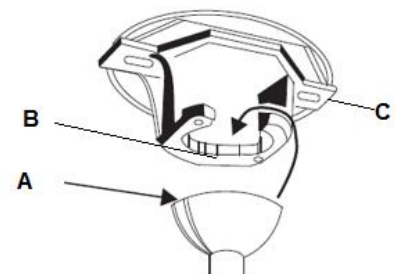


Fig. 8

Levante el conjunto del ventilador y móntelo en el soporte mural. Asegúrese de que la ranura de registro (A) de la bola de la tija esté posicionada sobre el tope (B) del soporte mural (C) para que el ventilador no pueda girar cuando esté funcionando. Fig. 8

INSTALACIÓN DEL VENTILADOR

Instalación del kit de luz

PRECAUCIÓN – Para disminuir el riesgo de descargas eléctricas, desconecte el circuito de suministro eléctrico del ventilador antes de instalar el kit de la luz. Peso del kit de luz: 6.16lb.

1. Retire la pantalla de la lámpara (5) de su base (C) girándola en sentido antihorario.
2. Afloje el tornillo (1) de la base del soporte (3). Alinee los dos tornillos de ranura (2) con las ranuras de los orificios de la base de la lámpara (4).
3. Gire la base de la lámpara en el sentido antihorario hasta que los tornillos de ranura estén firmemente fijados en el extremo de las ranuras.
4. Fije el tornillo (1) de nuevo al soporte de la base. Apriete los tres tornillos. No apriete en exceso.
5. Conecte el enchufe superior (6) del ventilador a la toma inferior (6) el tablero LED (7).
6. Para finalizar, instale la pantalla de la lámpara a la base de la lámpara girándola en sentido horario.

Fig. 9

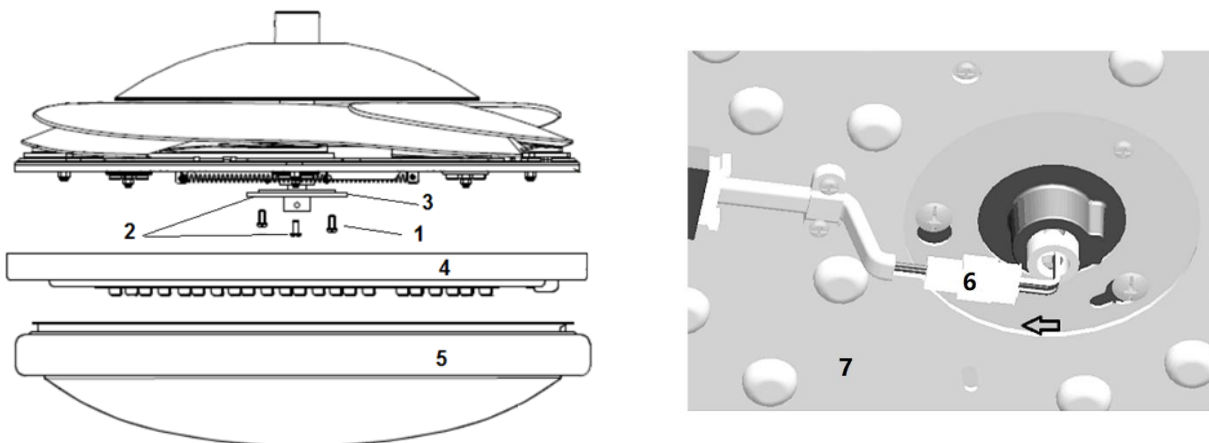


Fig. 9

DIAGRAMA DE CONEXIONES ELÉCTRICAS

ADVERTENCIA: Para evitar posibles descargas eléctricas, asegúrese de que la corriente esté cortada en el cuadro de distribución.

Siga los pasos siguientes para conectar el ventilador al cableado doméstico. Utilice las tuercas de conexión de alambre suministradas con su ventilador. Asegure los conectores con cinta aislante. Asegúrese de que no haya hilos de cable o conexiones sueltos.

1. Conecte el cable de fase doméstico (negro) al cable de entrada del receptor (negro, CA EN L) como muestra la **Fig. 10a**.
2. Conecte el cable neutro doméstico (blanco) al cable de entrada del receptor (blanco, CA EN N).
3. Conecte el cable de tierra doméstico al cable de tierra del soporte del ventilador (verde) y al cable de tierra del cuerpo del ventilador.

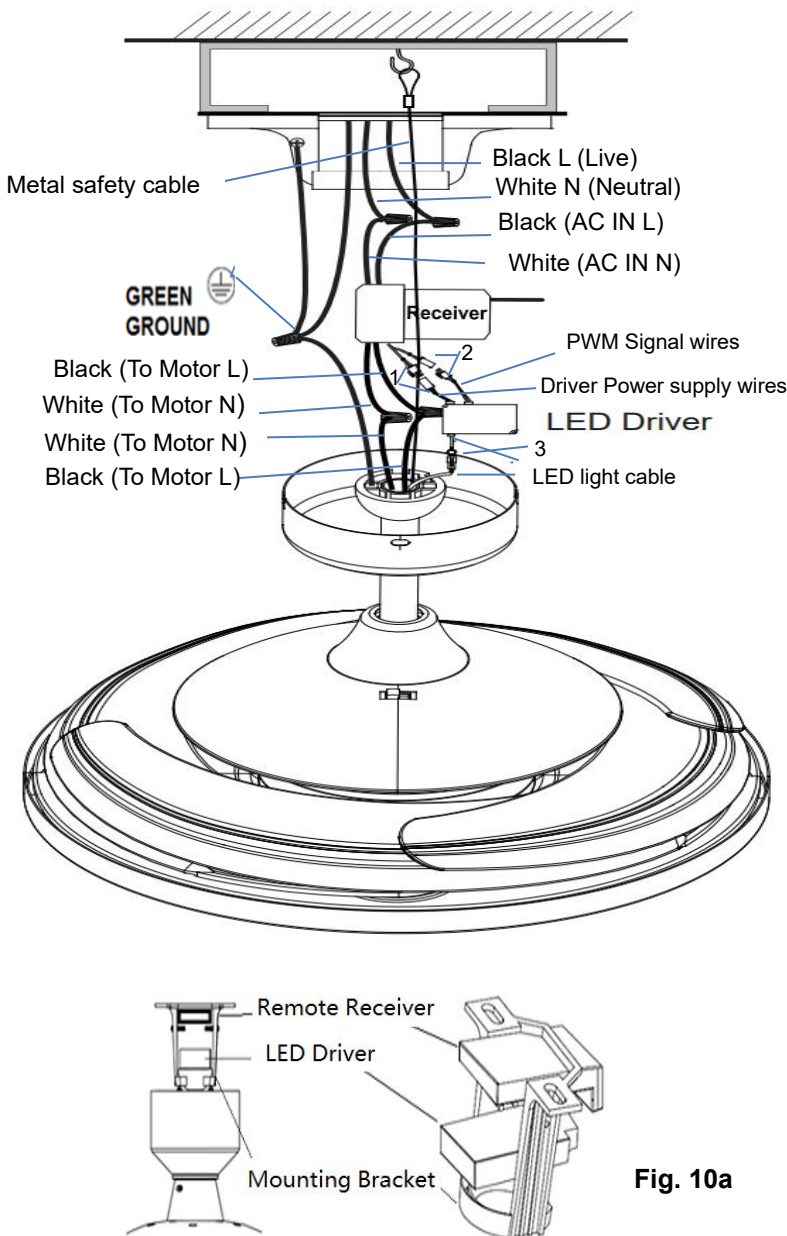


Fig. 10a

4. Conecte el cable de salida del receptor (negro, A MOTOR L) al cable de entrada de fase del motor (negro, A MOTOR L).
5. Conecte el cable de salida del receptor (blanco, A MOTOR N) al cable de entrada de neutro del motor (blanco, A MOTOR N).
6. Conecte los cables de entrada de alimentación del controlador LED y los cables de salida de alimentación del receptor remoto a través de los conectores rápidos de 2 puertos (3).
7. Conecte los cables de entrada de señal PWM del controlador LED y los cables de salida de señal PWM del receptor remoto a través de los conectores rápidos de 3 puertos (2)
8. También conecte los cables de salida del controlador LED y los cables de luz LED a través de los conectores rápidos (1)
9. Tire del cable de seguridad de metal en el gancho de seguridad, apriete el cable de seguridad (Fig.10a y Fig10b).
10. Después de conectar los cables, sepárelos de manera que los cables verde y blanco estén en un lado de la caja de salida y los cables negro y azul estén en el otro lado.

11. Oriente las tuercas de conexión hacia arriba y empuje los cables hacia el interior de la caja eléctrica.
12. Inserte el controlador LED en la capa inferior del soporte de montaje, luego, inserte el receptor.

Cable de seguridad armado

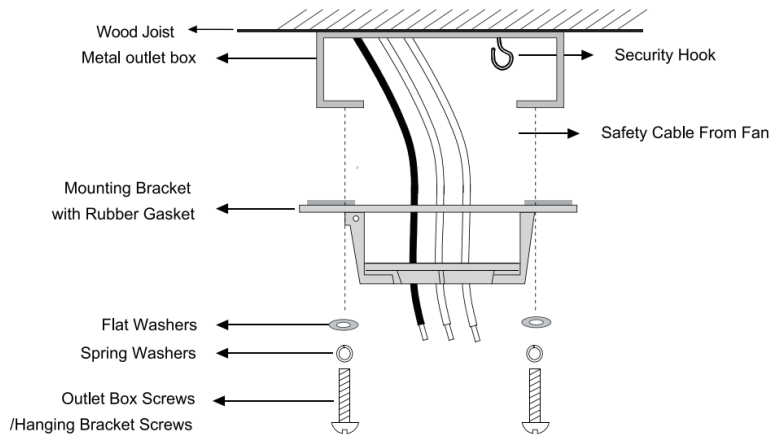


Fig. 10b

CÓMO FINALIZAR LA INSTALACIÓN

Deslice hacia arriba y alinee el florón con el soporte mural. Asegúrese de que todo el cableado eléctrico quede insertado dentro del florón y de que los cables no se dañen durante este paso. Fije el florón al soporte del colgador utilizando los tornillos suministrados.

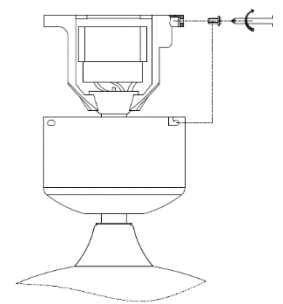


Fig. 11

MODO DE EMPLEO DEL VENTILADOR DE TECHO

COLOCACIÓN DE LOS INTERRUPTORES DIP

Cuando haya dos o más ventiladores próximos, tal vez desee ajustar el transmisor/receptor de cada ventilador con un código diferente, de manera que el funcionamiento de un ventilador no afecte al de otro.

Los interruptores DIP del receptor se encuentran ubicados sobre la superficie plana del receptor. Los interruptores DIP del transmisor se encuentran en el compartimento de la batería. **Fig. 12.**

NOTA: Asegúrese de que se haya desconectado la alimentación a los cables de corriente antes de establecer el código.

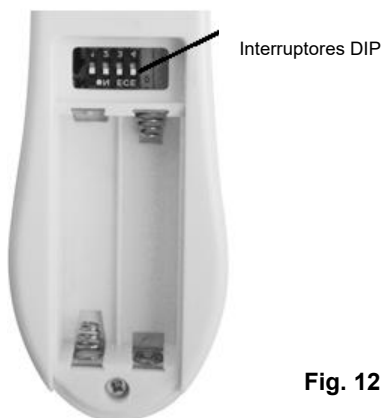


Fig. 12

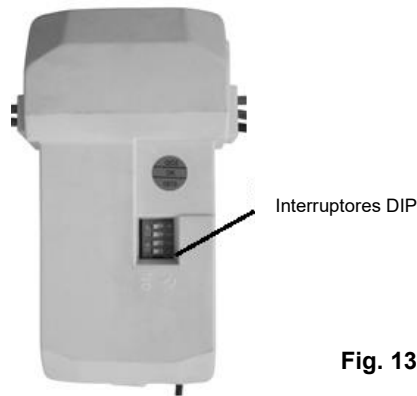
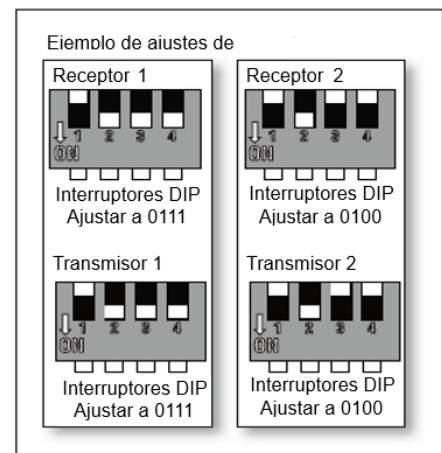


Fig. 13



Cambie la posición de los interruptores DIP en el transmisor remoto y el receptor. Asegúrese de que los interruptores DIP coincidan en el receptor remoto y en el transmisor. Si no coincidieran, el transmisor no funcionará. **Fig. 13**


INSTALACIÓN DE LAS PILAS DEL MANDO A DISTANCIA


El mando a distancia funciona con 2 pilas AAA de 1,5V. Retire la tapa del compartimiento de las pilas ubicada en la parte posterior del mando de distancia e inserte 2 pilas de tipo AAA. Asegúrese de que la polaridad es la correcta, tal y como se indica en el compartimento de la batería. (Pilas incluidas).

OPERATING THE REMOTE:

Antes de empezar a usar el control remoto, deténgase para leer esta sección y familiarizarse con la función de cada botón.

1. **Indicador LED:** El indicador LED rojo de la parte superior del transmisor se encenderá intermitente cuando los botones estén activos.
2. **HI:** Pulse el botón para ajustar la velocidad de funcionamiento del ventilador a alta.
3. **MED:** Pulse el botón para ajustar la velocidad de funcionamiento del ventilador a media.
4. **LOW:** Pulse el botón para ajustar la velocidad de funcionamiento del ventilador a baja.
5. **OFF:** Pulse el botón para apagar el ventilador.

6. : Pulse el botón para cambiar la temperatura de color en el siguiente orden: 3000K → 5000K → 4000K → 3000K

7. : Pulse el botón para encender/apagar la luz y mantenga pulsado el botón para acceder a la función de atenuación de luz.

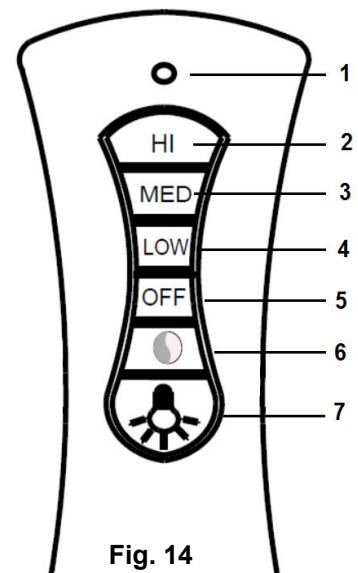


Fig. 14

El control remoto tiene función de memoria. Si el ventilador o la luz se apagan desde el interruptor de la pared, el control memoriza y recupera el último estado cuando se enciende.

INSTALACIÓN DEL PORTAMANDO

Instale el soporte en la pared con los dos tornillos suministrados y cuelgue el transmisor junto al soporte.

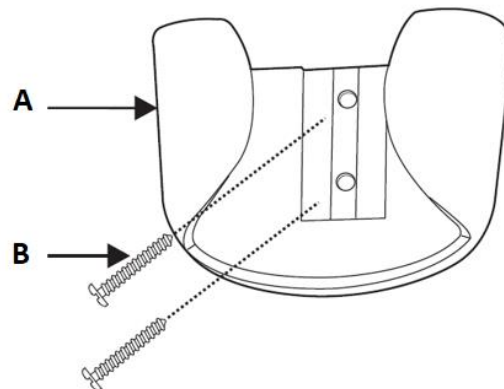


Fig. 15

DESPUÉS DE LA INSTALACIÓN

BAMBOLEO:

NOTA: Los ventiladores de techo tienden a moverse cuando están funcionando debido a que están montados sobre una arandela de goma. Si el ventilador está montado rígidamente al techo, se podrían generar unas vibraciones excesivas. Unos pocos centímetros de movimiento es bastante aceptable y NO indica que haya un problema.

PARA REDUCIR EL BALANCEO DEL VENTILADOR: Compruebe que todos los tornillos que fijan el soporte del ventilador y la tija esté bien apretados.

RUIDO:

En los momentos de silencio (sobre todo por la noche), se pueden escuchar ruidos tenues ocasionalmente. Las ligeras fluctuaciones de la corriente y las señales de frecuencia eléctrica superpuestas en el control del agua caliente durante las horas no punta, puede causar cambios en el ruido del motor del ventilador. Esto es algo normal. Por favor, permita un período de rodaje de 24 horas, transcurridos los cuales la mayoría de los ruidos asociados con su nuevo ventilador deberían desaparecer. Todos los motores eléctricos son audibles hasta cierto punto. Entienda que esto no es un fallo del producto y, por lo tanto, no está cubierto por la garantía.

CUIDADO Y LIMPIEZA

- El único mantenimiento requerido es una limpieza periódica del ventilador de techo. Use un cepillo suave o un paño sin hilos para evitar rayar el acabado de pintura. Por favor, apague la alimentación eléctrica cuando lo haga.
- No sumerja el ventilador de techo en el agua, dado que podría dañar el motor o las aspas y causar posibles descargas eléctricas.
- Asegúrese de que la luminaria no entre en contacto con limpiadores o disolventes orgánicos.

- Para limpiar las aspas del ventilador, utilice solamente un paño limpio y húmedo SIN limpiadores o disolventes orgánicos.
- El motor presenta un cojinete de bolas permanentemente lubricado. No es necesario engrasarlo.

NOTA: apague siempre la alimentación del interruptor de corriente antes de intentar limpiar el ventilador.

INFORMACIÓN TÉCNICA

Dimensiones del ventilador	Velocidad	Voltios (V)	Amperios (A)	Vatios (W)	RPM	CFM	CFM/W	Peso neto (lb)	Peso bruto (lb)	C.F.
48" LD-0003- 15/XXX/LED/0 1	Extra-High	120	0.48	56.36W	240	4172.69	74.04	25.1	30.1	4.1
	Medium High	120	0.33	32.59W	170	3029.29	92.95	25.1	30.1	4.1
	Low	120	0.21	19.37W	120	2115.13	109.20	25.1	30.1	4.1

Éstas son medidas aproximadas. No incluyen datos de ninguna de las lámparas o luces que van instaladas al ventilador de techo.

GARANTÍA

El ventilador en su conjunto está cubierto por una garantía de 1 años. Por favor, consulte la tarjeta de garantía para más información.



NOUS VOUS REMERCIONS DE VOTRE ACHAT

Merci d'avoir acheté ce produit Fanaway de qualité. Pour assurer un fonctionnement optimal et la sécurité d'utilisation, veuillez lire et conserver toutes les instructions avant d'utiliser le produit.

PRÉCAUTIONS DE SÉCURITÉ

Lisez et conservez ces instructions

Ce produit est conforme à la norme UL 507 et à la norme CSA STD. C22.2 NO.113.

1. **AVERTISSEMENT** - Pour éviter tout risque d'électrocution, avant d'installer ou de réparer votre ventilateur, débranchez l'alimentation électrique en désactivant le disjoncteur de la boîte à fusibles de la prise de courant.
2. **AVERTISSEMENT** - Pour réduire les risques d'incendie, de choc électrique ou de blessures, montez-le sur le boîtier de sortie marqué « adapté au support de ventilateur de 35 livres (15,9 kg) ou moins » et utilisez les vis de montage fournies avec le boîtier de sortie et / ou le support directement à partir de la structure du bâtiment. La plupart des boîtiers de sortie couramment utilisés pour le support des luminaires peuvent ne pas être adaptés pour le support de ventilateurs et doivent éventuellement être remplacés. Consultez un électricien qualifié en cas de doute.
3. **AVERTISSEMENT** - Pour réduire les risques d'incendie ou de choc électrique, n'utilisez pas ce ventilateur avec un dispositif de contrôle de la vitesse à semi-conducteurs.
4. **AVERTISSEMENT** - Pour réduire les risques de blessures, ne tordez pas les supports de pale lors de l'installation des supports de pale, lors de l'équilibrage des pales ou lors du nettoyage du ventilateur. N'insérez pas d'objets étrangers entre les pales du ventilateur en rotation.
5. **ATTENTION** - Tout le câblage doit être conforme au code électrique national (ANSI / NFPA 70) et aux codes électriques locaux. L'installation électrique doit être effectuée par un électricien qualifié et agréé.
6. Pour réduire les risques de blessures, le ventilateur doit être monté avec un dégagement minimum de 7 pieds du bord inférieur des pales au sol.
7. Après avoir marqué les connexions électriques, les conducteurs épissés doivent être tournés vers le haut et poussés avec précaution dans le boîtier de sortie. Les fils doivent être écartés avec le conducteur mis à la terre et le conducteur de mise à la terre de l'équipement sur un côté du boîtier de sortie.
8. Cet équipement a été testé et déclaré conforme aux limites imposées aux appareils numériques de classe B, conformément à la section 15 des règles de la FCC. Ces limites doivent fournir une protection raisonnable contre les interférences nuisibles dans une installation résidentielle. Cet équipement génère, utilise et peut émettre de l'énergie de fréquence radio. S'il n'est pas installé et utilisé conformément aux instructions, il peut causer des interférences nuisibles aux communications radio.

LISTE DES PIÈCES

Déballez votre ventilateur de plafond et identifiez soigneusement les pièces. Veuillez vous référer au schéma 1.

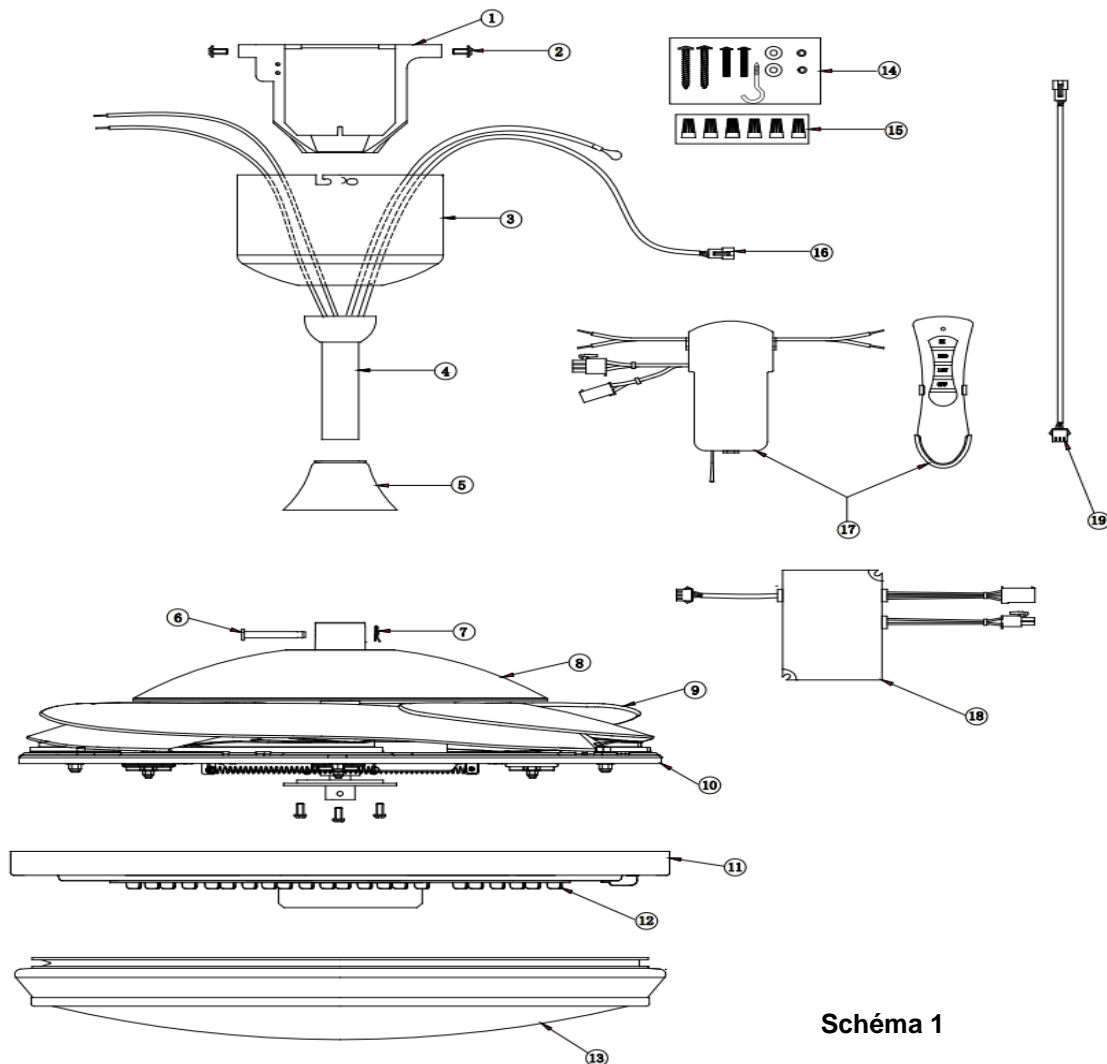


Schéma 1

- | | | | |
|----|--------------------------------------------|----|---------------------------------------|
| 1 | Support de montage x 1 | 13 | Abat-jour x 1 |
| 2 | Vis du cache x 4 | 14 | • Vis à bois x 2 |
| 3 | Cache x 1 | | • Vis à métaux x 2 |
| 4 | Tige de suspension avec joint à rotule x 1 | | • Rondelle plate x 2 |
| 5 | Boulon et couvercle de goupille x 1 | | • Rondelle à ressort x 2 |
| | | | • Crochet de sécurité x 1 |
| 6 | Boulon x 1 | 15 | Écrou x 6 |
| 7 | Goupille x 1 | 16 | Câble d'éclairage LED x 1 |
| 8 | Boîtier supérieur x 1 | 17 | Récepteur x 1 |
| 9 | Pale x 4 | | Télécommande x 1 set |
| 10 | Mécanisme de rétraction x 1 | 18 | Unité de contrôle LED x 1 |
| 11 | Base de lampe x 1 | 19 | Câble d'extension d'éclairage LED x 1 |
| 12 | Carte LED x 1 | | |

INSTALLATION DU SUPPORT DE MONTAGE

S'il n'y a pas de boîtier de sortie existant, installez-en un en suivant les instructions suivantes :

- Déconnectez l'alimentation en retirant les fusibles ou en désactivant les disjoncteurs.
- Fixez le boîtier de sortie (A) (non inclus) directement à la structure du bâtiment. Utilisez les fixations et le matériel appropriés (non inclus). Le boîtier de sortie et son support doivent être en mesure de supporter pleinement le poids du ventilateur en mouvement (au moins 35 livres). N'utilisez pas de boîtier de sortie en plastique.
- Les schémas ci-dessous illustrent trois manières différentes de monter le boîtier de prise de courant (A) (non fourni).

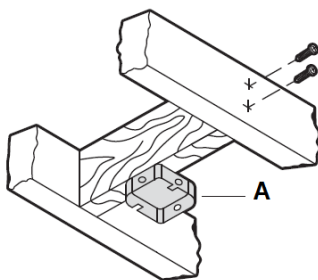


Schéma 2

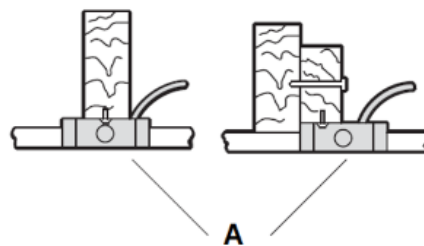


Schéma 3

Plafond incliné

Maximum 15°

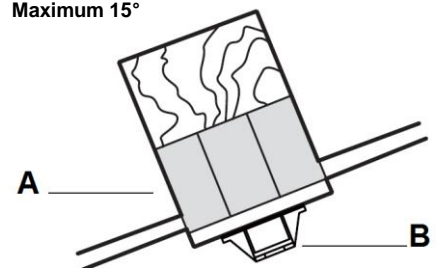


Schéma 4

Ce système de suspension de ventilateur est adapté pour une installation sur un plafond incliné de 15 degrés au maximum. **Schéma 4**

REMARQUE : Si vous installez le ventilateur de plafond sur un plafond en pente, vous aurez peut-être besoin d'une tige inférieure plus longue pour conserver un jeu suffisant entre la pointe de la pale et le plafond.

REMARQUE : Le ventilateur de plafond doit être installé dans un endroit tel que les pales soient espacées de 300 mm de la pointe de la pale jusqu'aux objets ou aux murs les plus proches.

REMARQUE : Pour une installation sur un plafond incliné, l'ouverture du support de montage (B) doit être dirigée vers le sommet.

Pour suspendre votre ventilateur là où il y a un luminaire existant mais pas de solive de plafond, vous aurez peut-être besoin d'une barre de suspension d'installation (C), comme illustré sur le **schéma 5**. Assurez-vous que la barre de suspension que vous avez achetée a été conçue pour être utilisée avec un ventilateur de plafond.

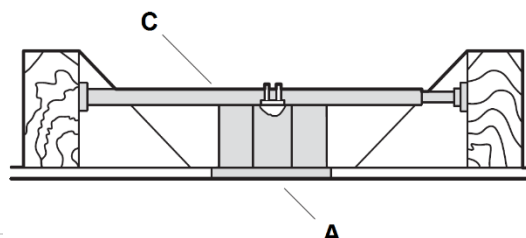


Schéma 5

INSTALLATION DE LA TIGE DE SUSPENSION

- 1) Retirez le joint à rotule (4) de la tige de suspension (6) en desserrant la vis de réglage (3), insérez les fils du moteur (1) et le câble d'éclairage LED (2) à travers la tige de suspension (6).
- 2) Insérez la tige de suspension dans l'accouplement (8), alignez les trous d'accouplement avec les trous de la tige de suspension et insérez le boulon (9). Ensuite, insérez la goupille (10) à l'extrémité du boulon.
- 3) Fixez la tige de suspension et l'accouplement en serrant les deux vis de réglage (11) sur l'accouplement.
- 4) Faites passer le boulon et le couvercle de la goupille (7) ainsi que le cache (5) à travers la barre de suspension.
- 5) Fixez le joint à rotule sur la tige de suspension. Schéma 6

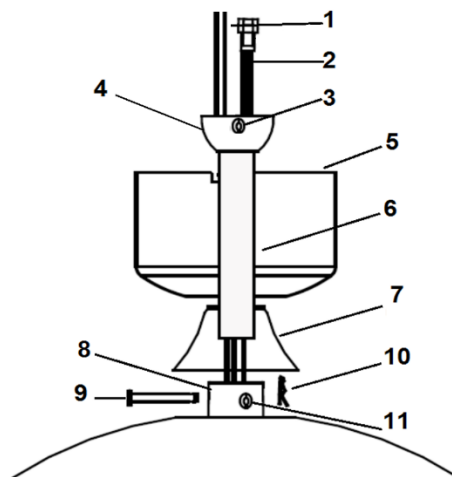


Schéma 6

REMARQUE : Lors de l'installation du ventilateur avec la tige de suspension, veuillez utiliser le câble d'extension de l'éclairage LED (19 - schéma 1).

SUSPENSION DU VENTILATEUR

Passez les fils d'alimentation (C) du boîtier de sortie de plafond (B) par le centre du support de montage au plafond (D). Installez le support de montage au plafond (D) sur le boîtier de sortie (B) à l'aide des vis de montage (F) fournies avec le boîtier de sortie, et les rondelles (E) fournies avec le ventilateur. **Schéma 7**

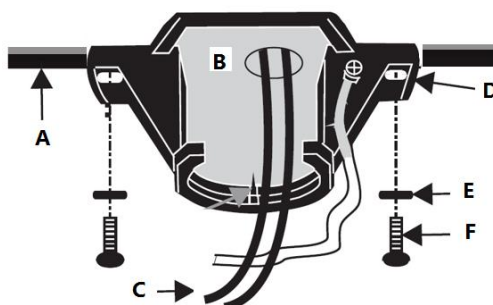


Schéma 7

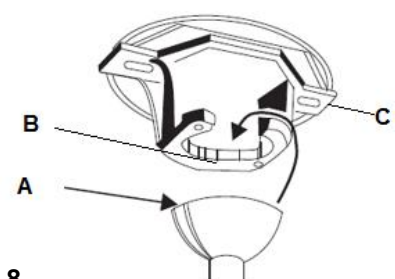


Schéma 8

Soulevez le ventilateur sur le support de montage. Assurez-vous que la fente d'enclenchement (A) de la boule de suspension est positionnée sur la butée (B) du support de montage (C) afin d'empêcher le ventilateur de tourner en cours de fonctionnement. **Schéma 8**

APRÈS L'INSTALLATION

Installation du kit d'éclairage

ATTENTION - Pour réduire le risque de choc électrique, débranchez le circuit d'alimentation électrique du ventilateur avant d'installer le kit d'éclairage. Poids du kit d'éclairage : 6,16 livres

1. Retirez l'abat-jour (5) de la base de la lampe (4) en le tournant dans le sens inverse des aiguilles d'une montre.
2. Desserrez la vis (1) du support de base (3). Alignez les deux vis à fente (2) avec les fentes en trou de serrure de la base de la lampe (4).
3. Tournez la base de la lampe dans le sens inverse des aiguilles d'une montre jusqu'à ce que les vis à fente soient fermement fixées à l'extrémité des fentes.
4. Fixez la vis (1) sur le support de la base. Serrez les trois vis. Ne serrez pas trop.
5. Connectez la fiche supérieure (6) du ventilateur à la prise inférieure (6) de la carte LED (7).
6. Enfin, installez l'abat-jour sur la base de la lampe en le tournant dans le sens des aiguilles d'une montre. Schéma 9

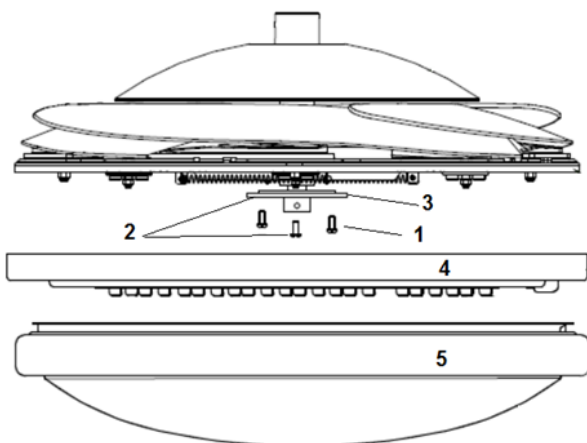


Schéma 9

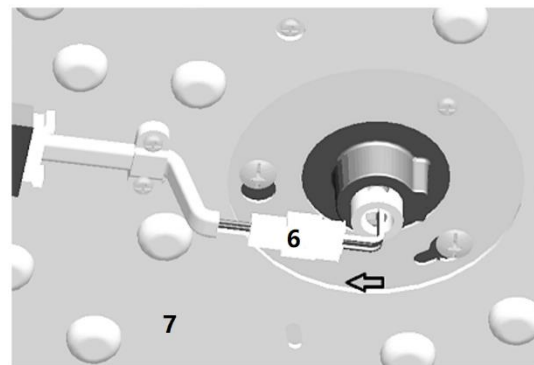
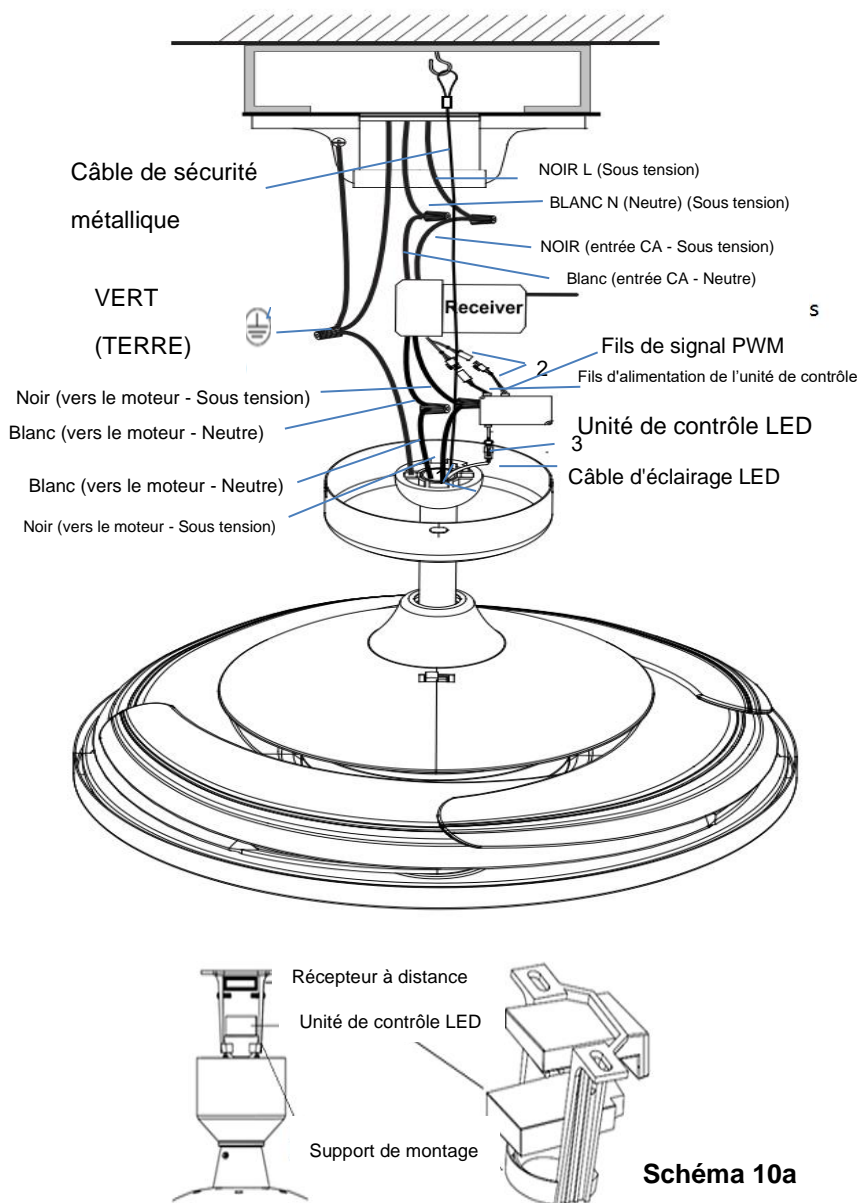


SCHÉMA DE CÂBLAGE ÉLECTRIQUE

AVERTISSEMENT : Pour éviter tout risque d'électrocution, assurez-vous d'avoir coupé l'alimentation au niveau du panneau de circuit principal.

Suivez les étapes ci-dessous pour connecter le ventilateur au câblage de votre domicile. Utilisez les écrous de connexion des fils fournis avec votre ventilateur. Fixez les connecteurs avec du ruban isolant. Assurez-vous qu'il n'y a pas de brins de fils ou de connexions desserrés.

1. Raccordez le fil d'alimentation secteur domestique (noir) au fil d'entrée du récepteur (noir, entrée CA sous tension), comme illustré sur le **schéma 10a**.
2. Connectez le fil d'alimentation neutre (blanc) au fil d'entrée du récepteur (blanc, entrée CA Neutre).
3. Connectez le fil de terre domestique au fil de terre du support de ventilateur (vert) et au fil de terre du boîtier du ventilateur.



4. Connectez le fil de sortie du récepteur (noir, **VERS LE MOTEUR SOUS TENSION**) au fil d'alimentation sous tension du moteur (noir, **VERS LE MOTEUR SOUS TENSION**).
5. Connectez le fil de sortie du récepteur (blanc, **VERS LE MOTEUR NEUTRE**) au fil d'entrée neutre du moteur (blanc, **VERS LE MOTEUR NEUTRE**)
6. Connectez les fils d'entrée d'alimentation de l'unité de contrôle LED et les fils de sortie d'alimentation du récepteur distant via les connecteurs rapides à 2 ports (3) ;
7. Connectez les fils d'entrée du signal PWM de l'unité de contrôle LED et les fils de sortie du signal PWM du récepteur distant via les connecteurs rapides à 3 ports (2)
8. Connectez également les fils de sortie de l'unité de contrôle LED et les fils d'éclairage LED via les connecteurs rapides (1)
9. Tirez le câble de sécurité métallique sur le crochet de sécurité, serrez le câble de sécurité (schéma 10a & schéma 10b).
10. Après avoir connecté les fils, écartez-les de manière à ce que les fils vert et blanc soient d'un côté du boîtier de sortie et que les fils noir et bleu se trouvent de l'autre côté.

11. Tournez les écrous de connexion vers le haut et poussez le câblage dans le boîtier de sortie.
12. Insérez l'unité de contrôle LED dans la couche inférieure du support de montage, puis insérez le récepteur à distance dans la couche supérieure du support de montage.

Câble de sécurité assemblé

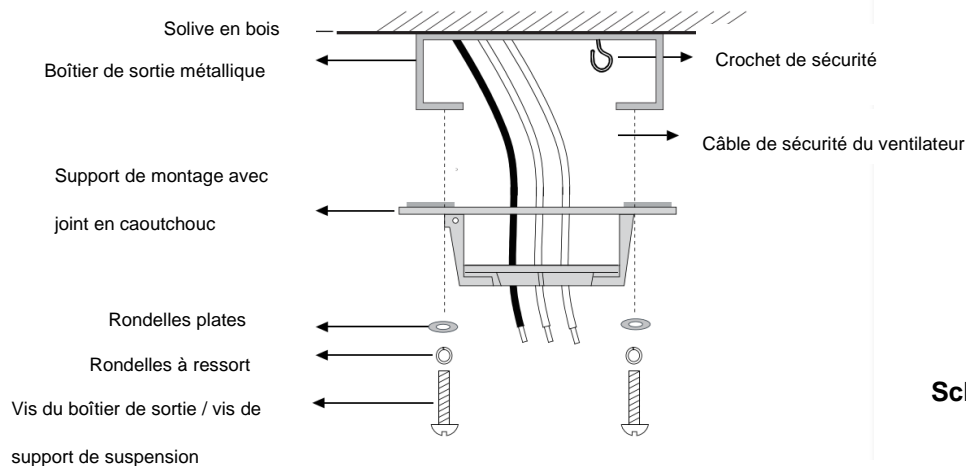


Schéma 10b

FINITION DE L'INSTALLATION

Faites glisser et alignez le cache sur le support de montage. Assurez-vous que tout le câblage électrique est niché à l'intérieur du cache et que les fils ne sont pas endommagés pendant cette étape. Fixez le cache au support de suspension à l'aide des vis fournies.

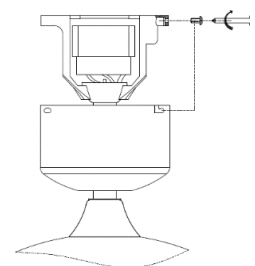


Schéma 11

UTILISATION DE VOTRE VENTILATEUR DE PLAFOND

INSTALLATION DES COMMUTATEURS DIP

Lorsque deux ventilateurs ou plus sont situés proches l'un de l'autre, vous pouvez souhaiter que le récepteur / télécommande de chaque ventilateur soit réglé sur un code différent, de sorte que le fonctionnement d'un ventilateur n'affecte pas le fonctionnement des autres ventilateurs.

Les commutateurs DIP du récepteur sont situés sur la surface plane du récepteur. Les commutateurs DIP de la télécommande se trouvent dans le compartiment à piles. **Schéma 12.**

REMARQUE : Assurez-vous que l'alimentation des câbles d'alimentation a été coupée avant de définir le code.

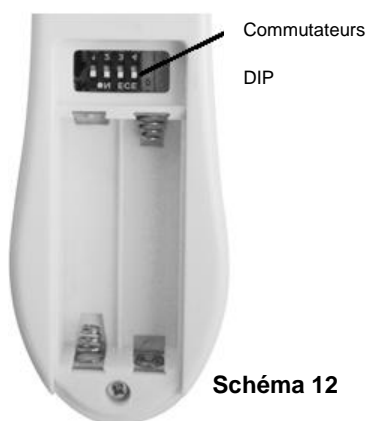
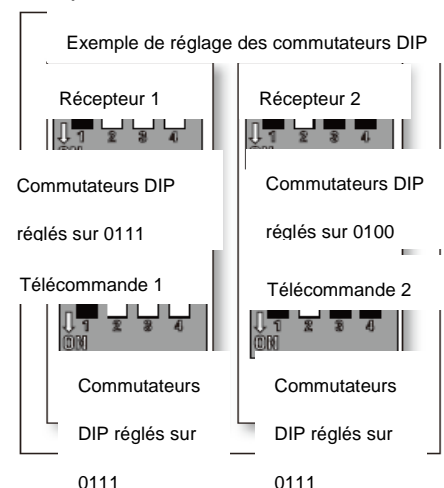


Schéma 12



Schéma 13



Modifiez la position des commutateurs DIP dans la télécommande et le récepteur. Assurez-vous que les

commutateurs DIP correspondent dans le récepteur et dans la télécommande. S'ils ne correspondent pas, la télécommande ne fonctionnera pas. **Schéma 13**

INSTALLATION DES PILES DANS LA TÉLÉCOMMANDE

2 piles AAA de 1,5 V (type) sont nécessaires pour utiliser la télécommande. Retirez le couvercle du compartiment des piles à l'arrière de la télécommande et insérez 2 piles AAA. Assurez-vous que les polarités sont correctes, comme illustré dans le compartiment des piles. (Piles incluses).

UTILISATION DE LA TÉLÉCOMMANDE :

Avant de commencer à utiliser la télécommande, prenez le temps de lire cette section et de vous familiariser avec les boutons et la fonction de chaque bouton.

1. Indicateur LED

L'indicateur rouge situé sur le dessus de la télécommande clignote lorsque les boutons sont actifs.


BOUTONS DE LA TÉLÉCOMMANDE


2. **FORT** : Appuyez sur ce bouton pour que le ventilateur fonctionne à forte vitesse.

3. **MOYEN** : Appuyez sur ce bouton pour que le ventilateur fonctionne à vitesse moyenne.

4. **FAIBLE** : Appuyez sur le bouton pour que le ventilateur fonctionne à faible vitesse.

5. **ARRÊT** : Appuyez sur ce bouton pour éteindre le ventilateur.

6.  : Appuyez sur ce bouton pour modifier la température de couleur dans l'ordre suivant : 3000K → 5000K → 4000K → 3000K

7.  : Appuyez sur le bouton pour allumer / éteindre la lampe et maintenez-le enfoncé pour accéder à la fonction de variation de la lumière.

La télécommande a une fonction de mémoire. Si le ventilateur ou la lampe est éteint(e) par le commutateur d'isolation, il mémorisera et récupérera le dernier statut lors de la prochaine activation.

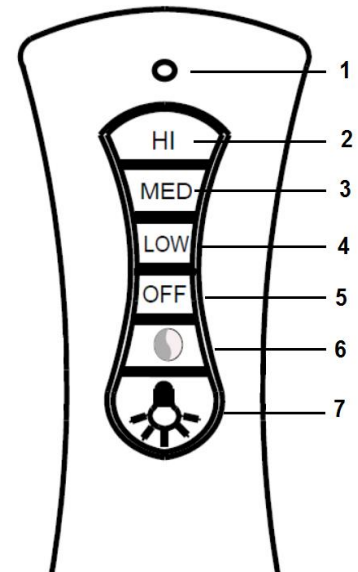


Schéma 14

INSTALLATION DU SUPPORT DE LA TÉLÉCOMMANDE

Installez le support mural avec les deux vis fournies et suspendez la télécommande.

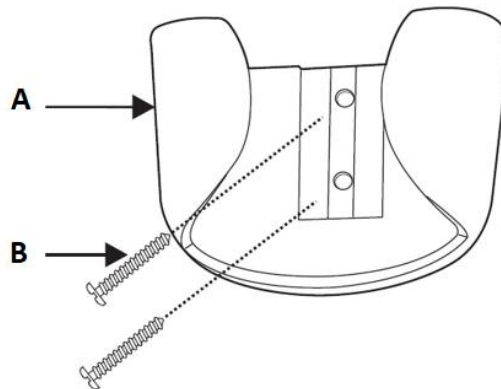


Schéma 15

APRÈS L'INSTALLATION

TREMBLEMENTS :

REMARQUE : les ventilateurs de plafond ont tendance à bouger en cours de fonctionnement car ils sont montés sur un œillet en caoutchouc. Si le ventilateur était monté de manière rigide au plafond, cela provoquerait des vibrations excessives. Un mouvement de quelques centimètres est tout à fait acceptable et ne suggère aucun problème.

POUR RÉDUIRE LES TREMBLEMENTS DU VENTILATEUR : Veuillez vérifier que toutes les vis qui fixent le support de montage et la tige inférieure sont bien serrées.

BRUIT :

Lorsque l'environnement est calme (surtout la nuit), vous pouvez entendre de petits bruits occasionnels. De légères fluctuations de puissance et des signaux de fréquence superposés à l'électricité pour le contrôle de l'eau chaude en période creuse peuvent provoquer une modification du bruit du moteur du ventilateur. Ce phénomène est normal. Veuillez prévoir une période d'installation de 24 heures, la plupart des bruits associés à un nouveau ventilateur disparaissent après cette période. Tous les moteurs électriques sont audibles dans une certaine mesure. Veuillez noter qu'il ne s'agit pas d'un défaut du produit et que, de ce fait, il n'est pas couvert par la garantie.

ENTRETIEN ET NETTOYAGE :

- 1) Le nettoyage périodique de votre ventilateur de plafond est le seul entretien requis. Utilisez une brosse douce ou un chiffon non pelucheux pour éviter de rayer la peinture. Veuillez couper l'alimentation électrique lorsque vous procédez au nettoyage
- 2) Assurez-vous que le produit n'entre pas en contact avec des produits chimiques/solvants corrosifs ou des nettoyeurs abrasifs, etc.
- 3) Pour le nettoyer, essuyez-le avec un chiffon doux et humide. Ne faites PAS tremper ou immerger le produit dans de l'eau ou d'autres liquides. Cela pourrait endommager le moteur ou les pales et créer un risque de choc électrique.
- 4) Le moteur est doté d'un roulement à billes lubrifié en permanence, il n'est donc pas nécessaire de lubrifier.

REMARQUE : Coupez toujours le courant au niveau de l'interrupteur d'alimentation avant de nettoyer votre ventilateur.

INFORMATIONS TECHNIQUES

Dimensions du ventilateur	Vitesse	Volts (V)	Amps (A) (A)	Watts (W)	TR / MIN	CFM	CFM/W	Poids net (livres)	Poids brut (livres)	C.F.
48 LD-0003- 15/XXX/LED/ 01	Extra-rapide	120	0,48	56,36 W	240	4172,69	74,04	25,1	30,1	4,1
	Moyenne ment rapide	120	0,33	32,59 W	170	3029,29	92,95	25,1	30,1	4,1
	Faible	120	0,21	19,37 W	120	2115,13	109,20	25,1	30,1	4,1

Ce sont des mesures approximatives. Elles ne comprennent pas les données pour les lampes ou les luminaires fixés au ventilateur de plafond.

GARANTIE

La garantie d'un an (1) couvre l'ensemble du ventilateur. Veuillez vous référer à la carte de garantie pour les détails.